

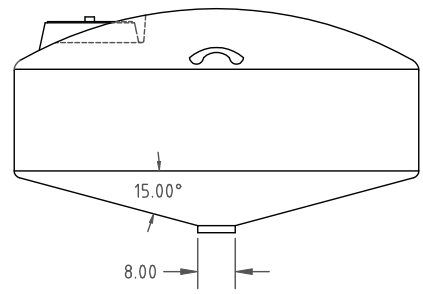
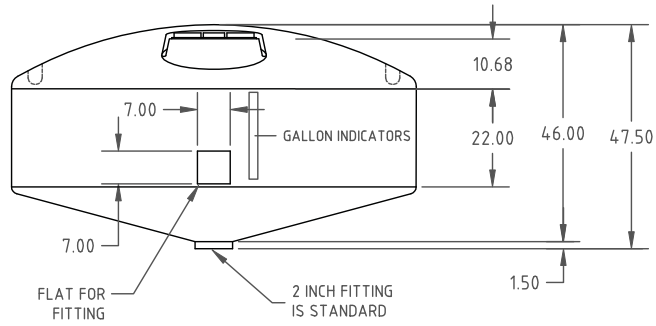
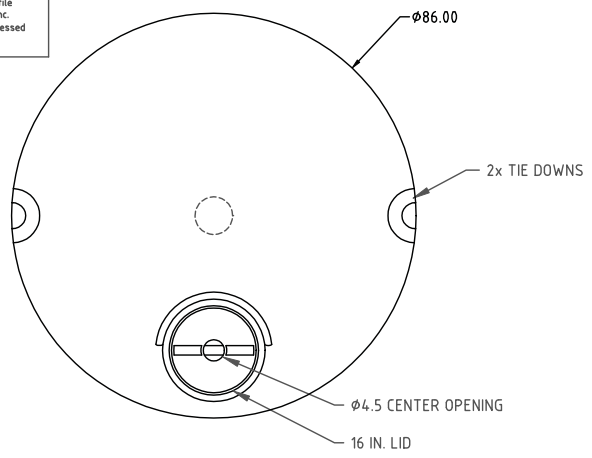


if it flows,
we go with it

1.800.665.4499
barrplastics.com

© DEN HARTOG INDUSTRIES, INC.
Copyright: All information furnished within this document, electronic file or design correspondence is the property of Den Hartog Industries, Inc. and shall not be used, disclosed to others or copied without the expressed written consent of Den Hartog Industries, Inc.

CB0800-86



		DRAWN / DATE DHJ 10/27/09		MATERIAL POLYETHYLENE
		APPRD. / DATE REH 11/2/09		
REV	DESCRIPTION	BY / DATE	CCN	NOTES: 1.25 WALL
	ALL DIMENSIONS ARE IN DECIMAL INCHES TOLERANCES UNLESS OTHERWISE SPECIFIED			
	POLYETHYLENE ±1% @ 68° F			SHIPPING WEIGHT: 182 LBS.
	METAL DECIMAL ± .125" FRACTION ± 1/4" ANGLE ± 1°			
		THIRD ANGLE PROJECTION ANSI 14.5M		FINISH:

Den Hartog
INDUSTRIES, INC.
Ace Roto-Mold Injection Molding Blow Molding Sowjoy
4010 HOSPERS DRIVE S. BOX 425, HOSPERS, IOWA 51238-0425

DESCRIPTION 800 GALLON X 86" CONE BOTTOM TANK	
SCALE N.S.	PART NO. CB0800-86