

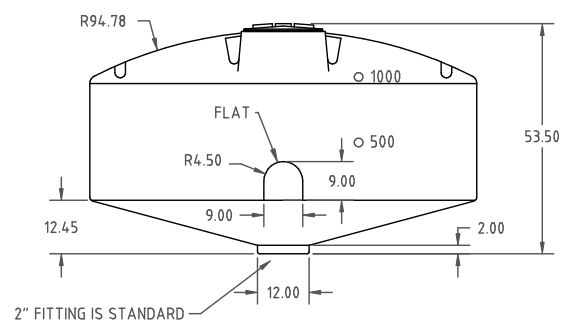
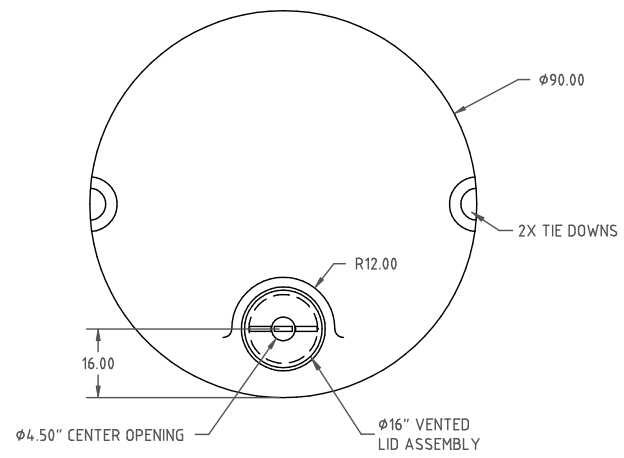


if it flows,
we go with it


1.800.665.4499
barrplastics.com

© DEN HARTOG INDUSTRIES, INC.
Copyright: All information furnished within this document, electronic file or design correspondence is the property of Den Hartog industries, Inc. and shall not be used, disclosed to others or copied without the expressed written consent of Den Hartog Industries, Inc.

CB1000-90



REV	DESCRIPTION	BY / DATE	CCN	DRAWN / DATE DHJ 10/31/08	MATERIAL 10420 3 MELT
				APPRD. / DATE REH 4/24/09	
	ALL DIMENSIONS ARE IN DECIMAL INCHES TOLERANCES UNLESS OTHERWISE SPECIFIED	THIRD ANGLE PROJECTION ANSI 14.5M		SHOT WEIGHT: 210 LBS.	NOTES: 1. .28 WALL
	POLYETHYLENE ±1% @ 68° F	MATERIAL METAL DECIMAL ± .125" FRACTION ± 1/4" ANGLE ± 1°		SHIPPING WEIGHT: 212 LBS.	
		FINISH:			



Den Hartog
INDUSTRIES, INC.
Ace Roto-Mold Injection Molding Blow Molding Sowjoy
4010 HOSPERS DRIVE S. BOX 425, HOSPERS, IOWA 51238-0421

DESCRIPTION	1000 GALLON 15° CONE BOTTOM TANK	
SCALE	N.S.	PART NO. CB1000-90