

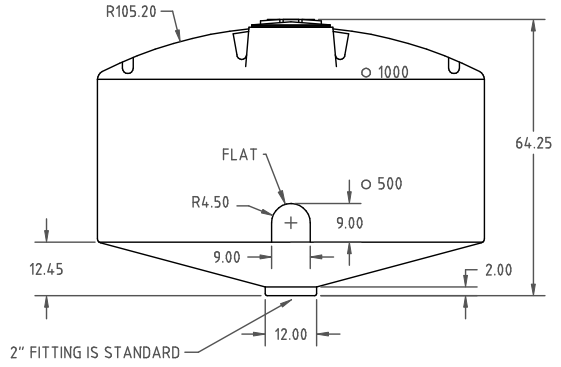
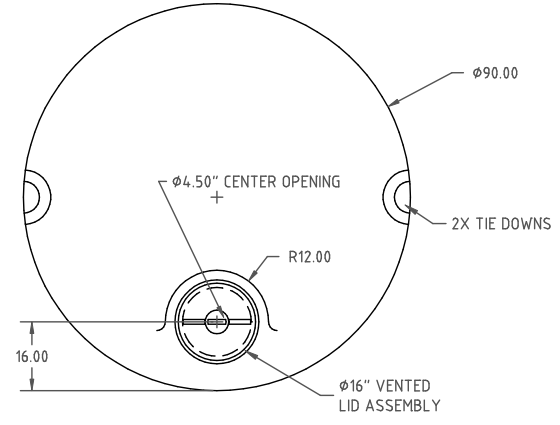


if it flows,  
we go with it

1.800.665.4499  
barrplastics.com

© DEN HARTOG INDUSTRIES, INC.  
Copyright. All information furnished within this document, electronic file or design correspondence is the property of Den Hartog industries, Inc. and shall not be used, disclosed to others or copied without the expressed written consent of Den Hartog Industries, Inc.

CB1300-90



REV	DESCRIPTION	BY / DATE	CCN	DRAWN / DATE DHJ 10/31/08	MATERIAL 10420 3 MELT +	 Ace Roto-Mold Injection Molding Blow Molding Sow-Joy 4010 HOSPERS DRIVE S. BOX 425, HOSPERS, IOWA 51238-0421
				APPRD. / DATE REH 2/18/09		
ALL DIMENSIONS ARE IN DECIMAL INCHES TOLERANCES UNLESS OTHERWISE SPECIFIED POLYETHYLENE ±1% @ 68° F				THIRD ANGLE PROJECTION ANSI 16.5M 	SHOT WEIGHT: 260 LBS. SHIPPING WEIGHT: 262 LBS. FINISH:	NOTES: 1. .30 WALL
METAL DECIMAL ± .125" FRACTION ± 1/4" ANGLE ± 1°				DESCRIPTION 1300 GALLON 15° CONE BOTTOM TANK		SCALE N.S. PART NO. CB1300-90

This document contains proprietary information. It is intended solely for use of potential clients involved or to be involved in a transaction with BARR Plastics Inc. Such proprietary information may not be used, reproduced, or disclosed for any other purpose without the expressed written permission.

© 2019 BARR PLASTICS INC