



if it flows,
we go with it

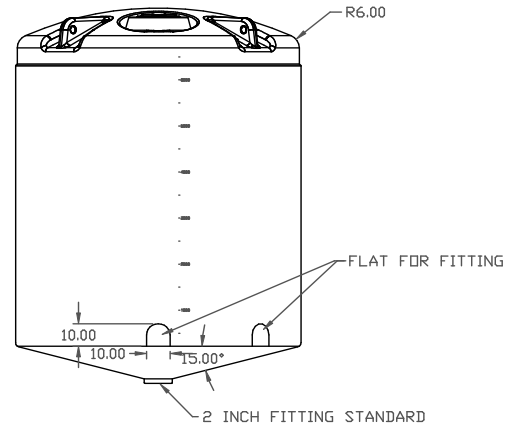
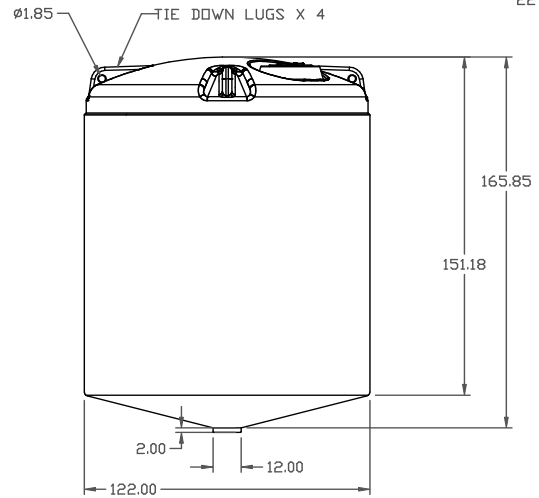
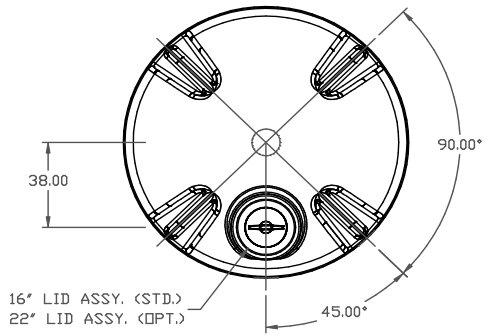
1.800.665.4499
barrplastics.com

PROPRIETARY DATA

PROPERTY OF ACE ROTO-MOLD MFG., INC. INFORMATION FURNISHED HEREIN IS THE PROPERTY OF ACE ROTO-MOLD MFG., INC. AND SHALL NOT BE USED, DISCLOSED TO OTHERS, OR COPIED WITHOUT THE EXPRESSED WRITTEN CONSENT OF ACE ROTO-MOLD MFG., INC. ALL RIGHTS RESERVED.

CB6900-122

A



				DRAWN / DATE DHJ 1/16/07		MATERIAL / SHOT WEIGHT		 Ace Roto-Mold A DIVISION OF DEN HARTOG INDUSTRIES, INC. 4010 HOSPERS DRIVE S., BOX 425, HOSPERS, IOWA 51238	
				APPRD. / DATE REH 4/18/07		1700 LBS.			
A	CHANGE PART #	6/1/07	DHJ			CLIENT / DESCRIPTION		6900 GALLON 15° CONE BOTTOM TANK	
REV	DESCRIPTION	DATE	APPRD			SCALE		PART NO. CB6900-122	
ALL DIMENSIONS ARE IN DECIMAL INCHES TOLERANCES UNLESS OTHERWISE SPECIFIED ± 1% @ 68° F				THIRD ANGLE PROJECTION ANSI 14.5M 		NOTES:			