



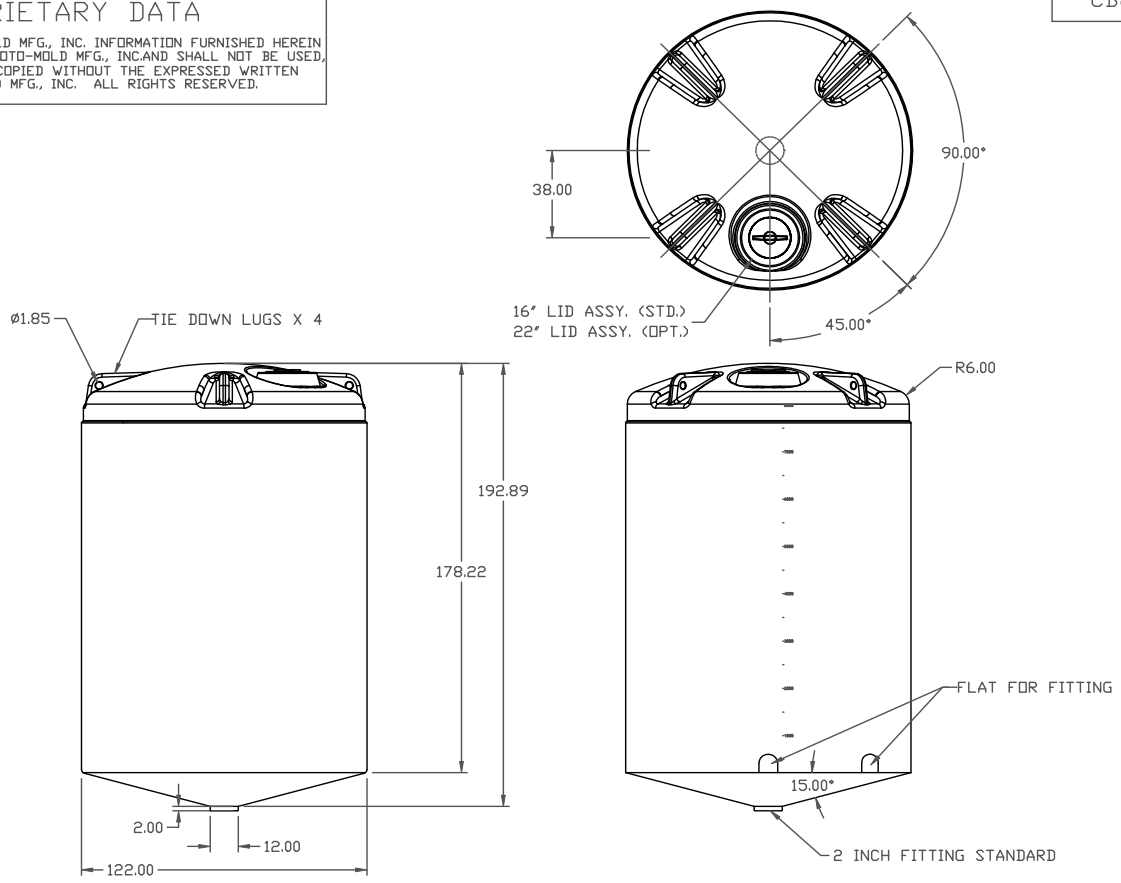
if it flows,  
we go with it

1.800.665.4499  
barrplastics.com

PROPRIETARY DATA

PROPERTY OF ACE ROTO-MOLD MFG., INC. INFORMATION FURNISHED HEREIN IS THE PROPERTY OF ACE ROTO-MOLD MFG., INC. AND SHALL NOT BE USED, DISCLOSED TO OTHERS, OR COPIED WITHOUT THE EXPRESSED WRITTEN CONSENT OF ACE ROTO-MOLD MFG., INC. ALL RIGHTS RESERVED.

CB8250-122



				DRAWN / DATE DHJ 1/16/07		MATERIAL / SHOT WEIGHT		 Ace Roto-Mold A DIVISION OF DEN HARTOG INDUSTRIES, INC. 4010 HOSPERS DRIVE S., BOX 425, HOSPERS, IOWA 51238	
A	CHANGE PART #	6/4/07	DHJ	APPRD. / DATE	REH 4/18/07	2100 LBS.			
REV	DESCRIPTION	DATE	APPRD	THIRD ANGLE PROJECTION ANSI 14.5M		NOTES:		CLIENT / DESCRIPTION 8250 GALLON 15° CONE BOTTOM TANK	
ALL DIMENSIONS ARE IN DECIMAL INCHES TOLERANCES UNLESS OTHERWISE SPECIFIED ± 1% @ 68° F								SCALE	N.S.
								PART NO.	CB8250-122