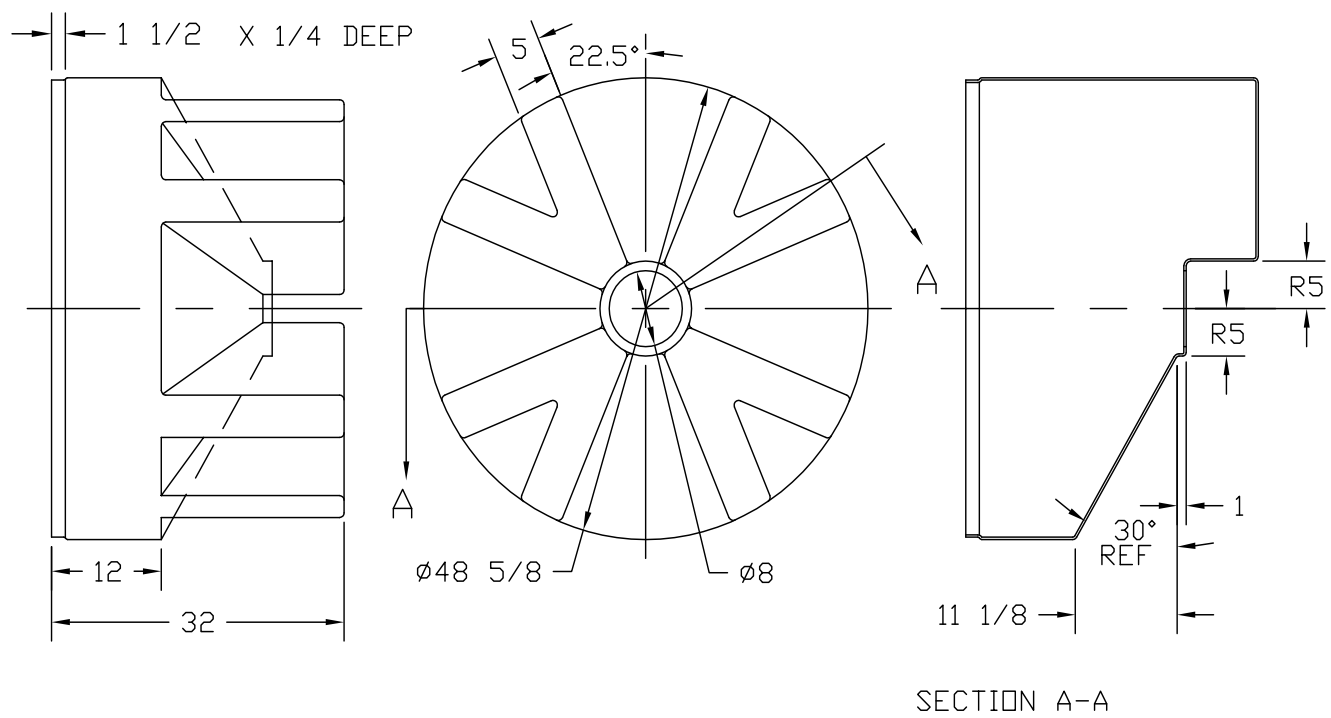




if it flows,
we go with it

1.800.665.4499
barrplastics.com

NORWESCO		REV
ST. BONIFACIUS, MN		
300/500 USG (662 LTRS)		
CONE BTM STAND		
WT. (LBS)	DWG NO.	
85.0	40574	W/STAND-W/2" FTG.



ALL INFORMATION CONTAINED IN THIS DRAWING IS STRICTLY CONFIDENTIAL AND PROPERTY OF BARR PLASTICS INC. NO PART SHALL BE COPIED OR REPRODUCED WITHOUT THE WRITTEN CONSENT OF BARR PLASTICS INC.			
Customer Drawing Approval		MATERIAL SPECIFICATIONS	
Customer _____		PROJECT:	HDPE 1.5 SPG
Barr Plastic Inc. _____		- TANK APPROVAL DWG	ALL FITTINGS ARE POLYPROPYLENE WITH EPDM GASKETS
H:\BPT SALES DWG\TANKS Norwesco_Snyder_Ace\Norwesco\Cone Bottom Tanks\500.DWG	DATE:	CLIENT:	
	18 AUG 05	-	
		DRAWING REF:	
		SCALE:	
		-	
		REV:	