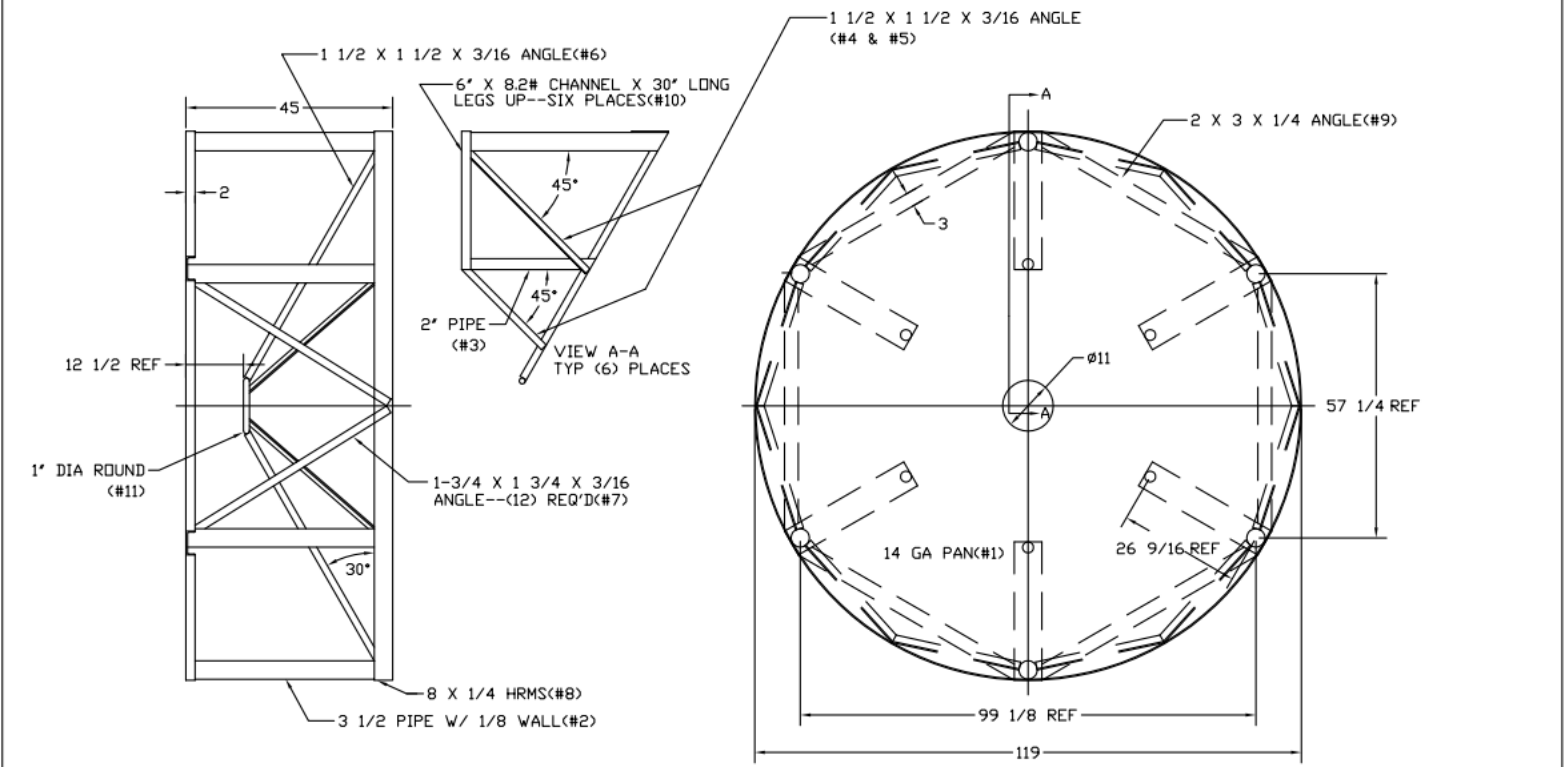




if it flows,
we go with it

1.800.665.4499
barrplastics.com

NORWESCO			
ST. BONIFACIUS, MN			
STEEL STAND, 5500 USG(20,818 LTRS)			
CONE BTM TANK			
SIZE	FSCM NO.	DWG NO.	REV
A		60358	



ALL INFORMATION CONTAINED IN THIS DRAWING IS STRICTLY CONFIDENTIAL AND PROPERTY OF BARR PLASTICS INC. NO PART SHALL BE COPIED OR REPRODUCED WITHOUT THE WRITTEN CONSENT OF BARR PLASTICS INC.

Customer Drawing Approval

Customer _____

Barr Plastic Inc. _____

H:\BPT SALES DWG\TANKS Norwesco_Snyder_Ace\Norwesco\Cone Bottom Tanks\Bases\5500BASE.DWG



DATE: 18 AUG 05

PROJECT: - TANK APPROVAL DWG
 CLIENT: -
 DRAWING REF: -

SCALE: -
 REV: -

MATERIAL SPECIFICATIONS
 HDPE 1.5 SPG
 ALL FITTINGS ARE POLYPROPYLENE WITH EPDM GASKETS