



if it flows,
we go with it

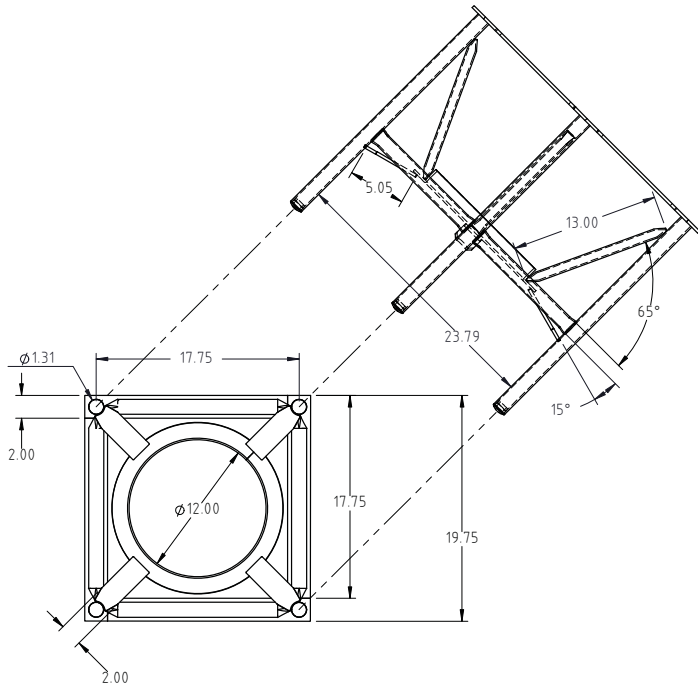
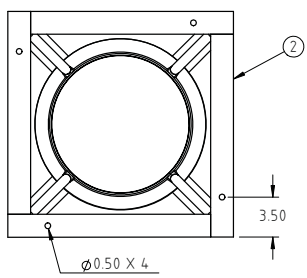
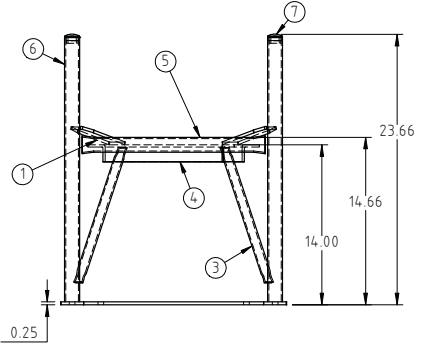
1.800.665.4499
barrplastics.com

© DEN HARTOG INDUSTRIES, INC.


Copyright: All information furnished within this document, electronic file or design correspondence is the property of Den Hartog Industries, Inc. and shall not be used, disclosed to others, or copied without the expressed written consent of Den Hartog Industries, Inc.

KEY	PART NUMBER	DESCRIPTION	QTY.
1	CB023-15ST-1	TANK SUPPORT STRAP	4
2	CB023-15ST-2	BASE STRAP	4
3	CB023-15ST-3	LOW SUPPORT	4
4	RAR-12	ROLLED ANGLE, 12" PLAIN	1
5	CB023-15ST-5	SIDE TUBE	4
6	CB023-15ST-6	LEG TUBE	4
7	12583	1" PIPE PLUG	4

CB023-15ST



REV		DESCRIPTION		BY / DATE	CCN	DRAWN / DATE ADH 1/3/11	MATERIAL
						APPRD. / DATE REH 8/24/11	
		ALL DIMENSIONS ARE IN DECIMAL INCHES TOLERANCES UNLESS OTHERWISE SPECIFIED		THIRD ANGLE PROJECTION ANSI 14.5M		SHOT WEIGHT: 37.00 LBS	NOTES:
		POLYETHYLENE ±1% @ 68°F		METAL DECIMAL ± .125" FRACTION ± 1/4" ANGLE ± 1°		SHIPPING WEIGHT: POWDER COATING, BLACK TILE, 40012	



Den Hartog
INDUSTRIES, INC.

Ace Roto-Mold Injection Molding Blow Molding Sowjoy

4010 HOSPERS DRIVE S. BOX 425, HOSPERS, IOWA 51238-0421

DESCRIPTION STAND FOR 15" X Ø23.00" CONE BOTTOM TANK	
SCALE N.S.	PART NO. CB023-15ST

This document contains proprietary information. It is intended solely for use of potential clients involved or to be involved in a transaction with BARR Plastics Inc. Such proprietary information may not be used, reproduced, or disclosed for any other purpose without the expressed written permission.

© 2019 BARR PLASTICS INC