



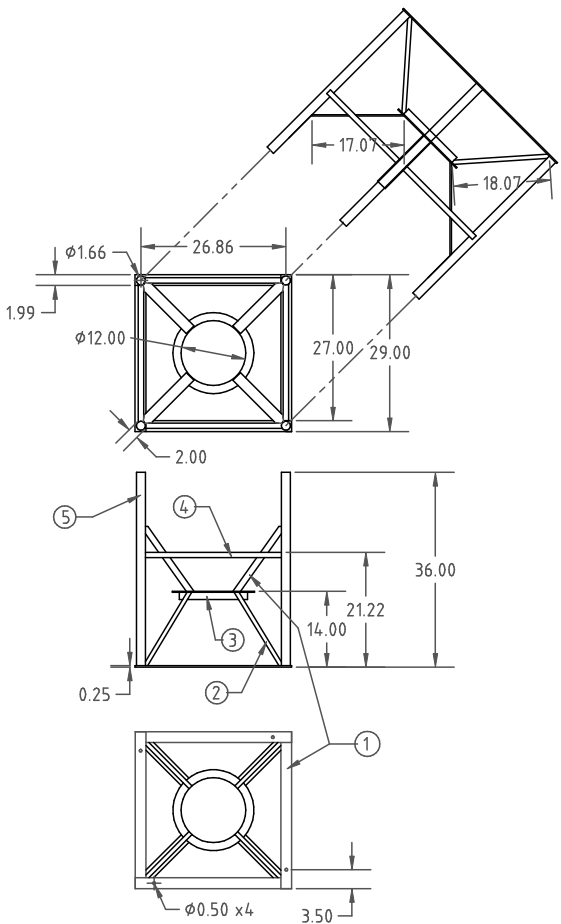
if it flows,
we go with it

1.800.665.4499
barrplastics.com

PROPRIETARY DATA
PROPERTY OF ACE ROTO-MOLD MFG., INC. INFORMATION FURNISHED HEREIN IS THE PROPERTY OF ACE ROTO-MOLD MFG., INC. AND SHALL NOT BE USED, DISCLOSED TO OTHERS, OR COPIED WITHOUT THE EXPRESSED WRITTEN CONSENT OF ACE ROTO-MOLD MFG., INC. ALL RIGHTS RESERVED.

CB036-45ST A

KEY	PART NUMBER	DESCRIPTION	QTY.
1	BO2500X20000	1/4 X 2 FLAT	180 IN
2	P05000	1/2" SIZE TUBING	71 IN
3	RAR-12	12" ROLLED ANGLE	1
4	T1000X01090	1" OD ROUND MILD X .109	101 IN
5	T1660X01090	1.66 RD MILD STL FULL	14.4 IN



REV	DESCRIPTION	DATE	APPRD
A	ADDED HOLE SPACING DIMS AND B.O.M.	5/15/06	NVE

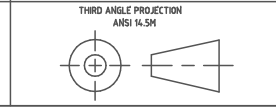
DRAWN / DATE
DHJ 4/16/04
APPRD. / DATE

MATERIAL
MILD STEEL

ACE ROTO-MOLD
A DIVISION OF DEN HARTOG INDUSTRIES, INC.
4018 HWY. 60 BLVD., BOX 421, HOSPEERS, IOWA 51238

CLIENT / DESCRIPTION
STAND FOR 45° 150 GALLON CONE BOTTOM TANK

ALL DIMENSIONS ARE IN DECIMAL INCHES
TOLERANCES UNLESS OTHERWISE SPECIFIED
± 1% @ 68° F



NOTES:
1. BLACK COLOR - POWDER COATED
2. WEIGHT 63 LBS.

SCALE
N.S.

PART NO.
CB036-45ST