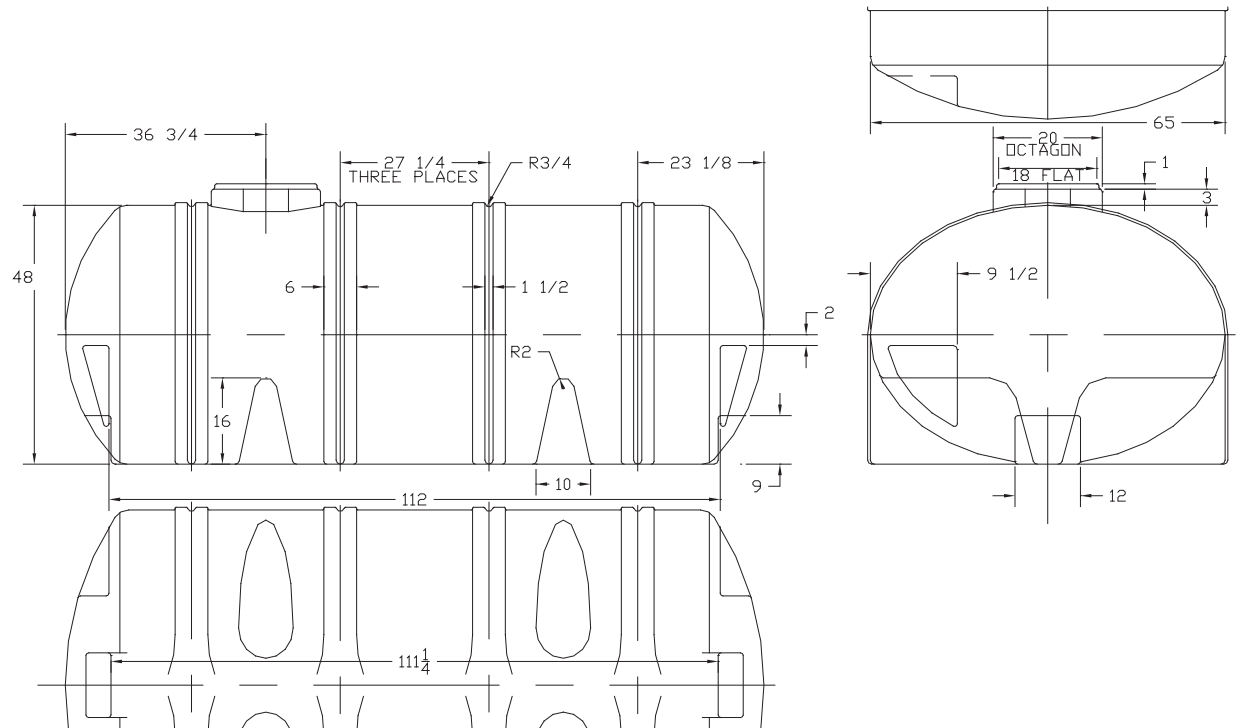




if it flows,  
we go with it

1.800.665.4499  
barrplastics.com

<b>NORWESCO</b>		REV
ST. BONIFACIUS, MN		
1235 USG (4,675 LTRS)		
ELLIPTICAL LEG TANK		
WT. (LBS)	DWG NO.	
364.6	<b>40239</b> W/2" FTG.	
WT. (LBS)	DWG NO.	
363.4	<b>40265</b> W/O FTG.	



ALL INFORMATION CONTAINED IN THIS DRAWING IS STRICTLY CONFIDENTIAL AND PROPERTY OF BARR PLASTICS INC. NO PART SHALL BE COPIED OR REPRODUCED WITHOUT THE WRITTEN CONSENT OF BARR PLASTICS INC.

**Customer Drawing Approval**

Customer \_\_\_\_\_

Barr Plastic Inc. \_\_\_\_\_



DATE: 18 AUG 05

PROJECT:	MATERIAL SPECIFICATIONS
- TANK APPROVAL DWG	HDPE 1.5 SPG
CLIENT:	ALL FITTINGS ARE
-	POLYPROPYLENE WITH
DRAWING REF:	EPDM GASKETS
SCALE:	
-	
REV:	