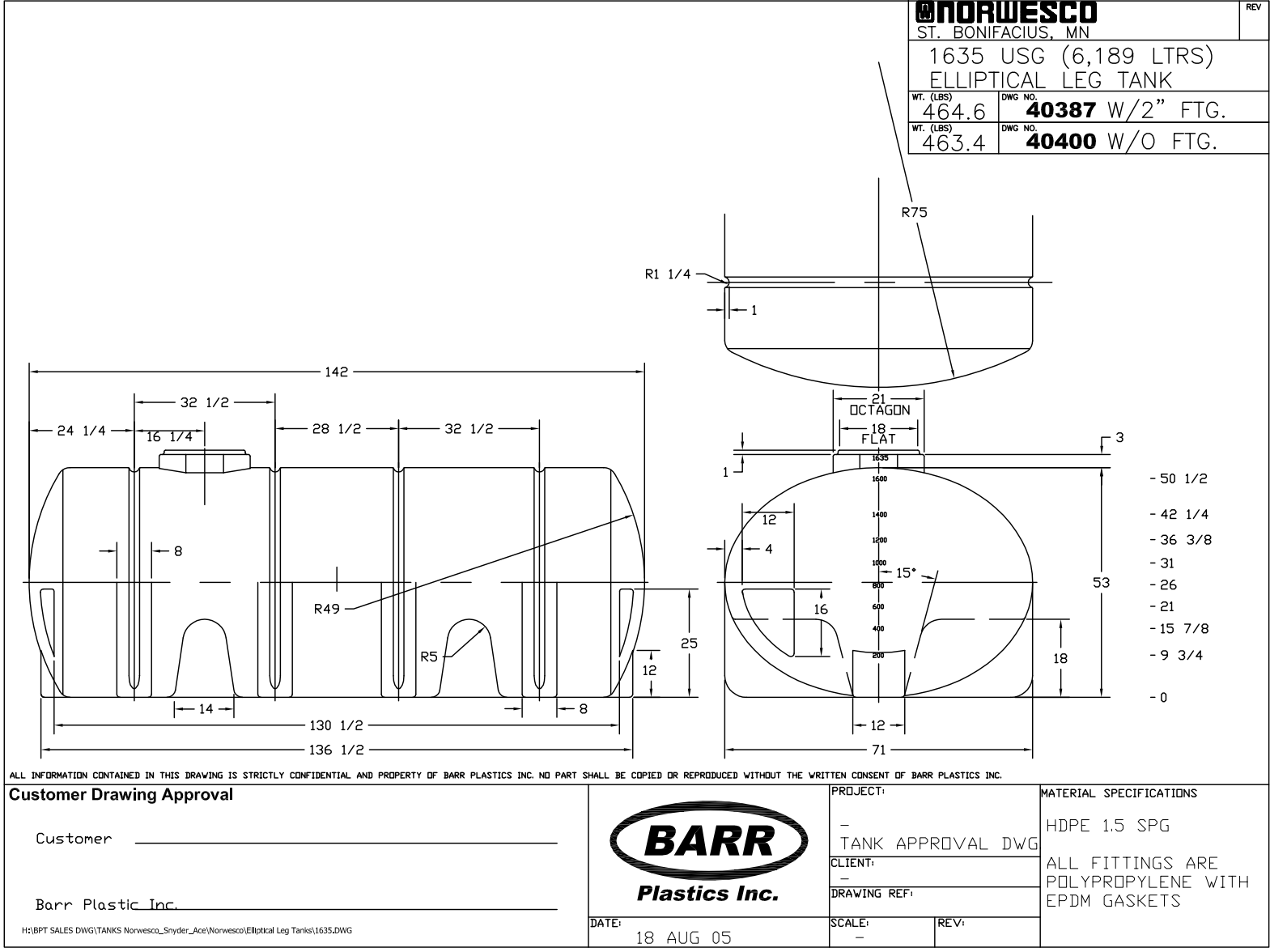




if it flows,
we go with it

1.800.665.4499
barrplastics.com



ALL INFORMATION CONTAINED IN THIS DRAWING IS STRICTLY CONFIDENTIAL AND PROPERTY OF BARR PLASTICS INC. NO PART SHALL BE COPIED OR REPRODUCED WITHOUT THE WRITTEN CONSENT OF BARR PLASTICS INC.

Customer Drawing Approval

Customer _____

Barr Plastic Inc. _____



PROJECT:
- TANK APPROVAL DWG
CLIENT:
-
DRAWING REF:

MATERIAL SPECIFICATIONS
HDPE 1.5 SPG
ALL FITTINGS ARE
POLYPROPYLENE WITH
EPDM GASKETS

DATE:
18 AUG 05

SCALE:
-

REV:

H:\BPT SALES DWG\TANKS Norwesco_Snyder_Ace\Norwesco\Elliptical Leg Tanks\1635.DWG