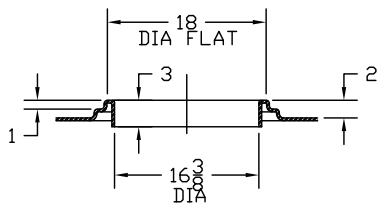


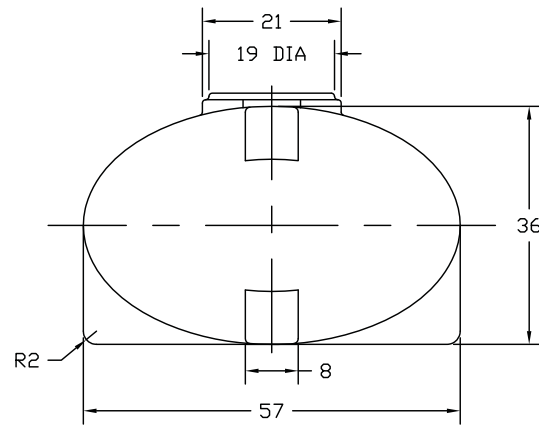
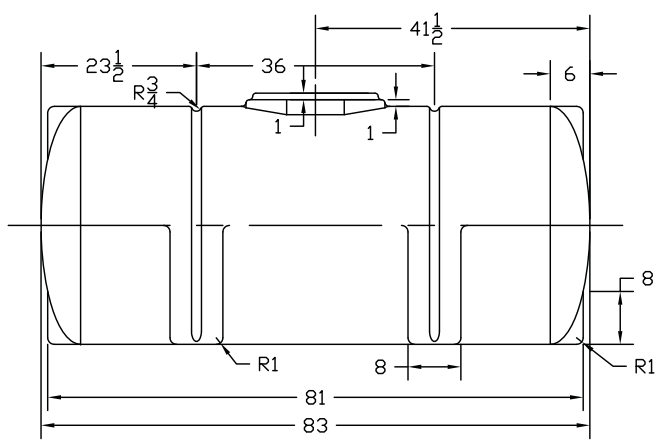


if it flows,
we go with it

1.800.665.4499
barrplastics.com



FILLWELL DETAIL
1/12 SCALE



REVISIONS				
ZONE	REV	DESCRIPTION	DATE	APPROVED

JTP 23FEB06				
		ST. BONIFACIUS, MN 535 GALLON ELLIPTICAL LEG TANK		
SIZE B	FSCM NO.	DWG NO.	REV	
SCALE 1/16		SHEET		