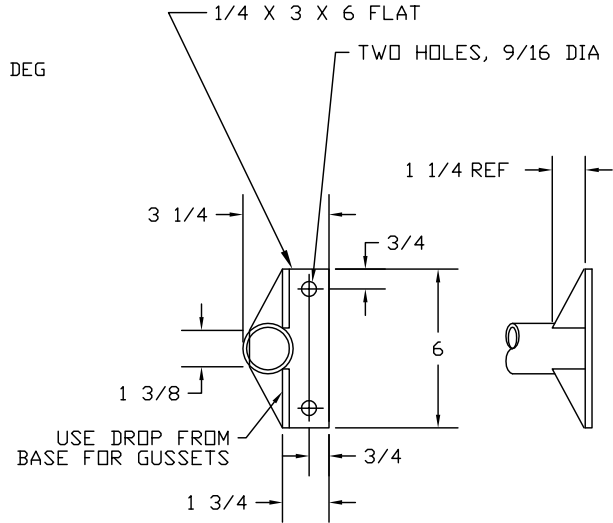
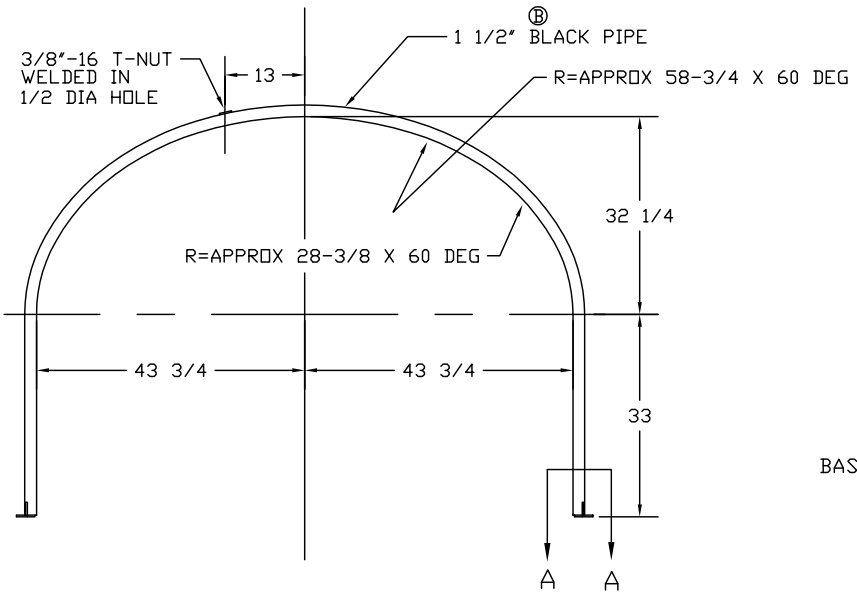




if it flows,
we go with it

1.800.665.4499
barrplastics.com

NORWESCO		REV
ST. BONIFACIUS, MN		
BAND FOR 2635 USG ELLIPTICAL LEG TANK		
WT. (LBS) 60.0	DWG NO. 60353	
WT. (LBS)	DWG NO.	



FINISH: HOT-DIPPED GALVANIZED

ALL INFORMATION CONTAINED IN THIS DRAWING IS STRICTLY CONFIDENTIAL AND PROPERTY OF BARR PLASTICS INC. NO PART SHALL BE COPIED OR REPRODUCED WITHOUT THE WRITTEN CONSENT OF BARR PLASTICS INC.

Customer Drawing Approval

Customer _____

Barr Plastic Inc. _____



PROJECT:
- TANK APPROVAL DWG

CLIENT:
-

DRAWING REF:
-

MATERIAL SPECIFICATIONS

HDPE 1.5 SPG

ALL FITTINGS ARE
POLYPROPYLENE WITH
EPDM GASKETS

DATE: 18 AUG 05

SCALE: -

REV: -

H:\BPT SALES DWG\TANKS Norwesco_Snyder_Ace\Norwesco\Elliptical Leg Tanks\Bands\2635Band.DWG