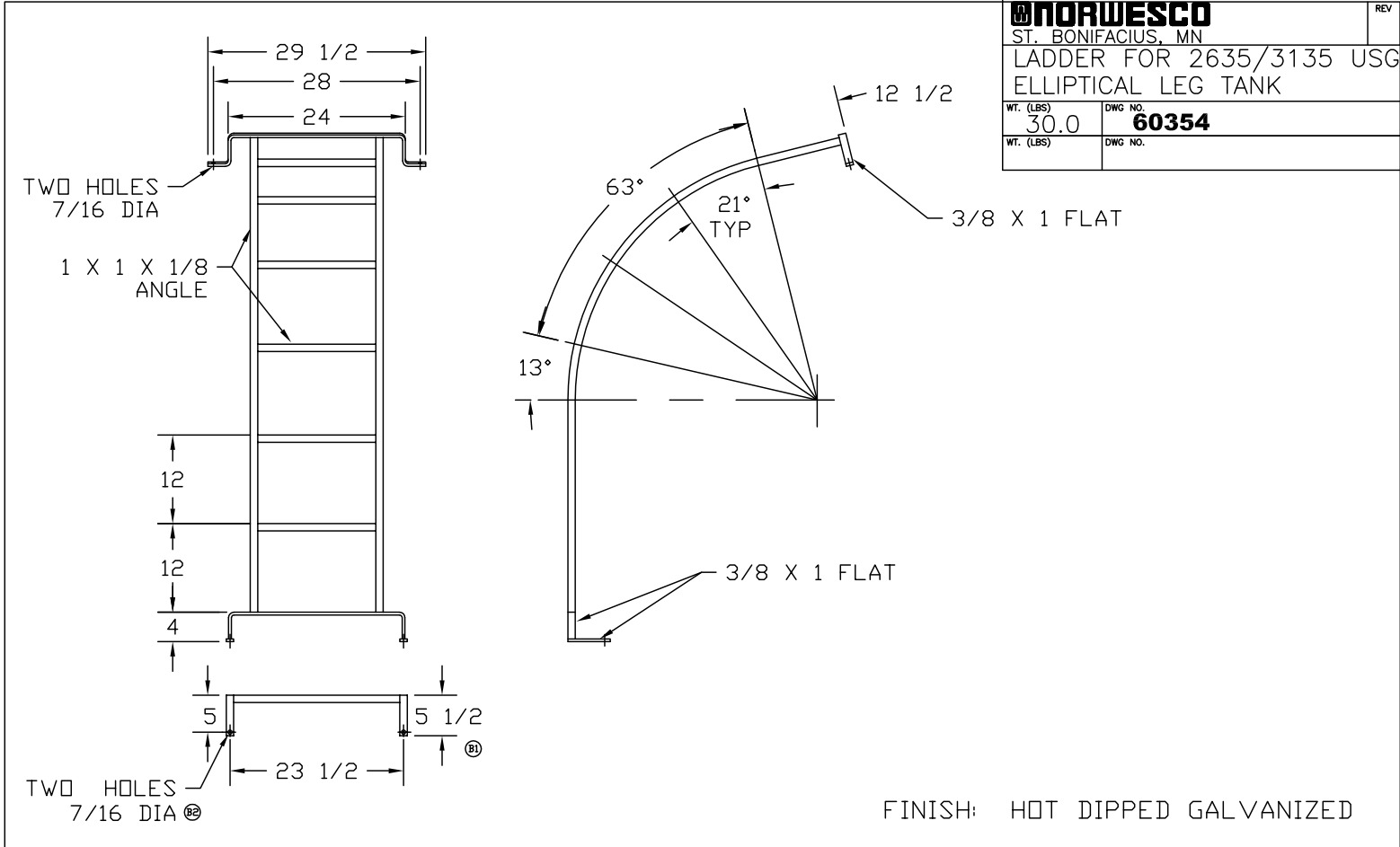




if it flows,
we go with it

1.800.665.4499
barrplastics.com



FINISH: HOT DIPPED GALVANIZED

ALL INFORMATION CONTAINED IN THIS DRAWING IS STRICTLY CONFIDENTIAL AND PROPERTY OF BARR PLASTICS INC. NO PART SHALL BE COPIED OR REPRODUCED WITHOUT THE WRITTEN CONSENT OF BARR PLASTICS INC.		
Customer Drawing Approval Customer _____ Barr Plastic Inc. _____		PROJECT: - TANK APPROVAL DWG CLIENT: - DRAWING REF: - MATERIAL SPECIFICATIONS HDPE 1.5 SPG ALL FITTINGS ARE POLYPROPYLENE WITH EPDM GASKETS
DATE: 18 AUG 05		SCALE: - REV: -

H:\BPT SALES DWG\TANKS Norwesco_Snyder_Ace\Norwesco\Elliptical Leg Tanks\Ladders\2635_3135LDDR.DWG