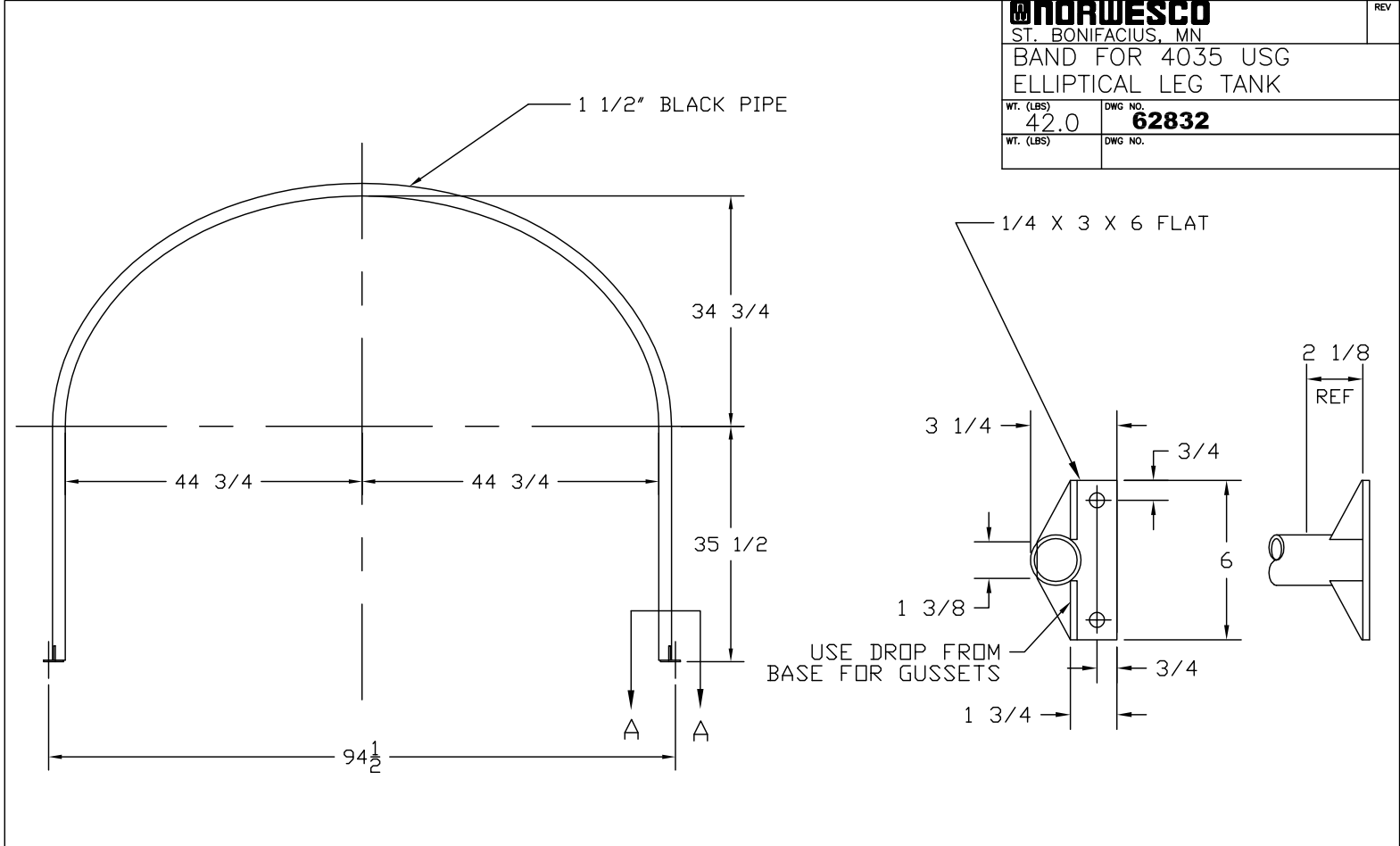




if it flows,
we go with it

1.800.665.4499
barrplastics.com



NORWESCO		REV
ST. BONIFACIUS, MN		
BAND FOR 4035 USG		
ELLIPTICAL LEG TANK		
WT. (LBS)	DWG NO.	
42.0	62832	
WT. (LBS)	DWG NO.	

ALL INFORMATION CONTAINED IN THIS DRAWING IS STRICTLY CONFIDENTIAL AND PROPERTY OF BARR PLASTICS INC. NO PART SHALL BE COPIED OR REPRODUCED WITHOUT THE WRITTEN CONSENT OF BARR PLASTICS INC.		
Customer Drawing Approval Customer _____ Barr Plastic Inc. _____		PROJECT: - TANK APPROVAL DWG
		MATERIAL SPECIFICATIONS HDPE 1.5 SPG ALL FITTINGS ARE POLYPROPYLENE WITH EPDM GASKETS
H:\BPT SALES DWG\TANKS Norwesco_Snyder_Ace\Norwesco\Elliptical Leg Tanks\Bands\4035Band.DWG	DATE: 18 AUG 05	CLIENT: - DRAWING REF: SCALE: - REV: -

This document contains proprietary information. It is intended solely for use of potential clients involved or to be involved in a transaction with BARR Plastics Inc. Such proprietary information may not be used, reproduced, or disclosed for any other purpose without the expressed written permission.

© 2019 BARR PLASTICS INC