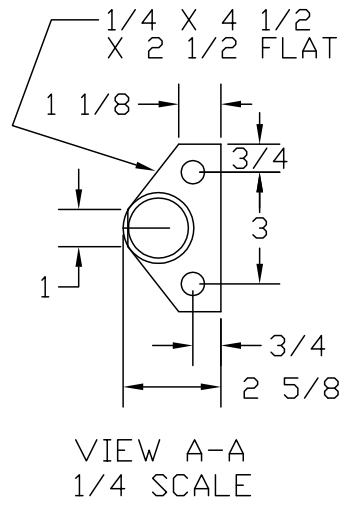
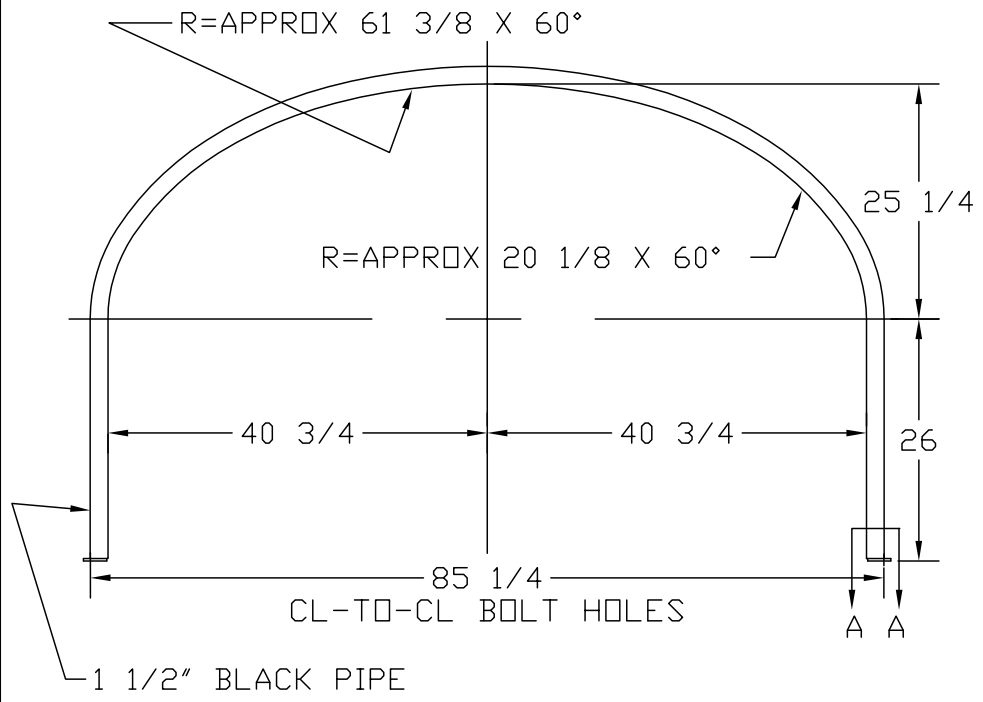




if it flows,  
we go with it

1.800.665.4499  
barrplastics.com

<b>NORWESCO</b>		REV
ST. BONIFACIUS, MN		
BAND FOR 2035 USG ELLIPTICAL LEG TANK		
WT. (LBS)	DWG NO.	
36.0	<b>62079</b>	
WT. (LBS)	DWG NO.	



ALL INFORMATION CONTAINED IN THIS DRAWING IS STRICTLY CONFIDENTIAL AND PROPERTY OF BARR PLASTICS INC. NO PART SHALL BE COPIED OR REPRODUCED WITHOUT THE WRITTEN CONSENT OF BARR PLASTICS INC.

**Customer Drawing Approval**

Customer \_\_\_\_\_

Barr Plastic Inc. \_\_\_\_\_



PROJECT:  
- TANK APPROVAL DWG

CLIENT:  
-

DRAWING REF:  
-

**MATERIAL SPECIFICATIONS**

HDPE 1.5 SPG

ALL FITTINGS ARE  
POLYPROPYLENE WITH  
EPDM GASKETS

DATE:  
18 AUG 05

SCALE:  
-

REV:  
-