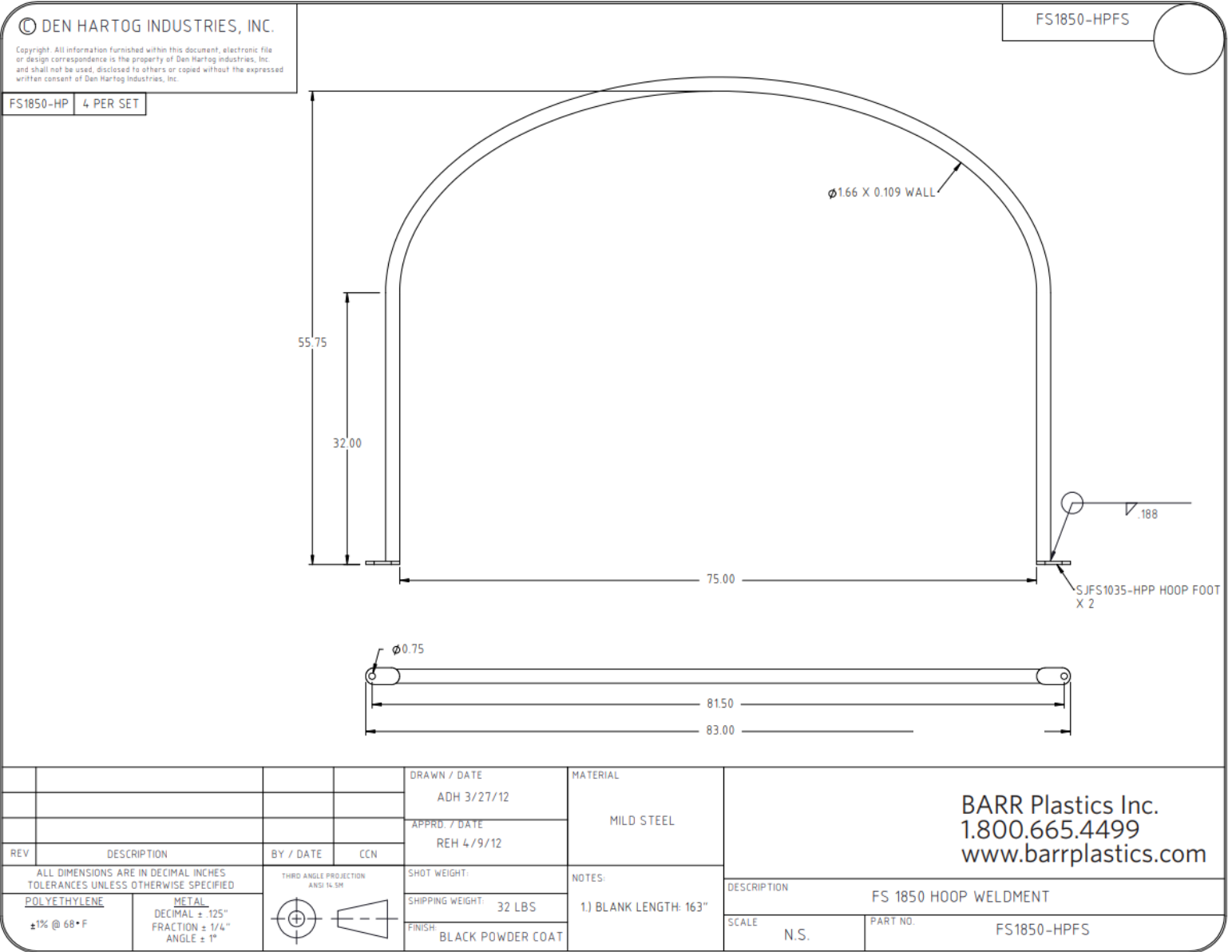




if it flows,
we go with it

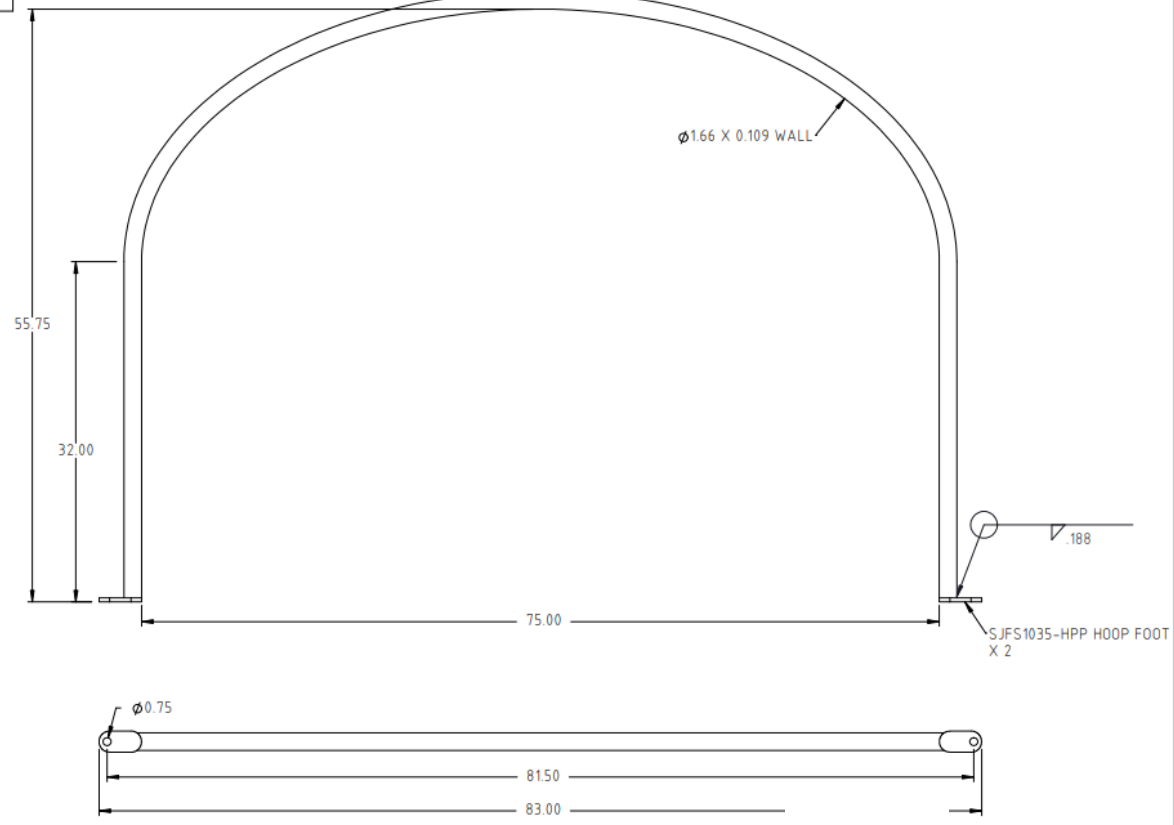
1.800.665.4499
barrplastics.com



© DEN HARTOG INDUSTRIES, INC.
Copyright - All information furnished within this document, electronic file or design correspondence is the property of Den Hartog industries, Inc. and shall not be used, disclosed to others or copied without the expressed written consent of Den Hartog Industries, Inc.

FS1850-HPFS

FS1850-HP 4 PER SET



REV		DESCRIPTION	BY / DATE	CCN	DRAWN / DATE ADH 3/27/12	MATERIAL MILD STEEL	BARR Plastics Inc. 1.800.665.4499 www.barrplastics.com
					APPRD. / DATE REH 4/9/12		
ALL DIMENSIONS ARE IN DECIMAL INCHES TOLERANCES UNLESS OTHERWISE SPECIFIED			THIRD ANGLE PROJECTION ANSI 14.5M		SHOT WEIGHT:	NOTES:	DESCRIPTION FS 1850 HOOP WELDMENT
POLYETHYLENE ±1% @ 68°F		METAL DECIMAL ± .125" FRACTION ± 1/4" ANGLE ± 1°	SHIPPING WEIGHT: 32 LBS		FINISH: BLACK POWDER COAT		SCALE N.S.
						PART NO. FS1850-HPFS	