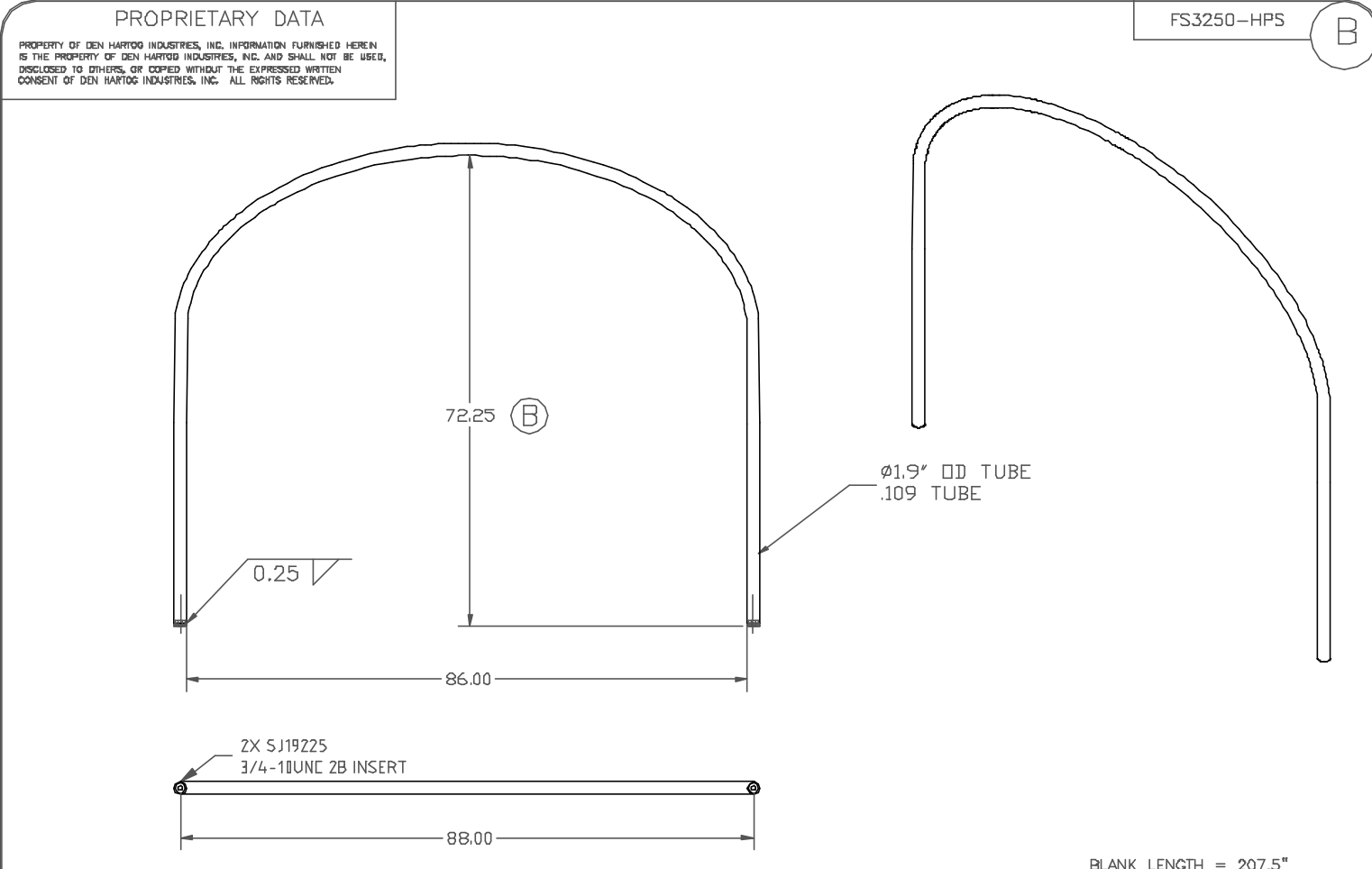




if it flows,
we go with it

1.800.665.4499
barrplastics.com



PROPRIETARY DATA <small>PROPERTY OF DEN HARTOG INDUSTRIES, INC. INFORMATION FURNISHED HEREIN IS THE PROPERTY OF DEN HARTOG INDUSTRIES, INC. AND SHALL NOT BE USED, DISCLOSED TO OTHERS, OR COPIED WITHOUT THE EXPRESSED WRITTEN CONSENT OF DEN HARTOG INDUSTRIES, INC. ALL RIGHTS RESERVED.</small>				FS3250-HPS (B)	
2X S19225 3/4-10UNC 2B INSERT 88.00		Ø1.9" OD TUBE .109 TUBE		BLANK LENGTH = 207.5"	
B WAS 73.04 3/12/07 DHJ A CLARIFIED PN, ADDED WELD SYMBOLS 7/6/06 NVE REV DESCRIPTION DATE APPRD		DRAWN / DATE DHJ 2/24/05 APPRD. / DATE		MATERIAL 1.9 RD MILD STEEL TUBING	
ALL DIMENSIONS ARE IN DECIMAL INCHES TOLERANCES UNLESS OTHERWISE SPECIFIED ± .25		THIRD ANGLE PROJECTION ANSI 14.5M		NOTES: 1. WEIGHT 36 LBS. 2. BLACK COLOR POWDER COATED	
ACE ROTO-MOLD <small>A DIVISION OF DEN HARTOG INDUSTRIES, INC. 4018 HWY. 60 BLVD, BOX 421, HOSPERS, IOWA 51238</small>				CLIENT / DESCRIPTION HOOP WITH THREADED INSERT FOR 3250 GALLON LEG TANK	
SCALE N.S.				PART NO. FS3250-HPS	