

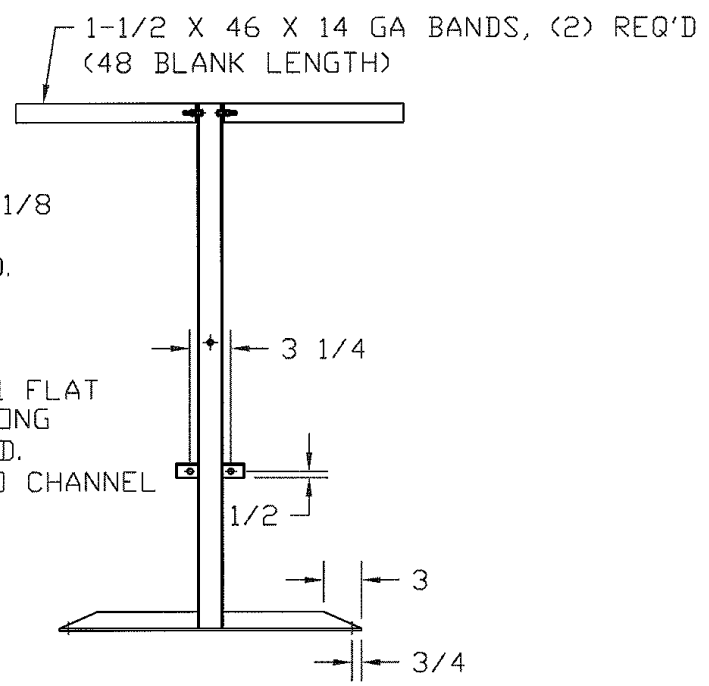
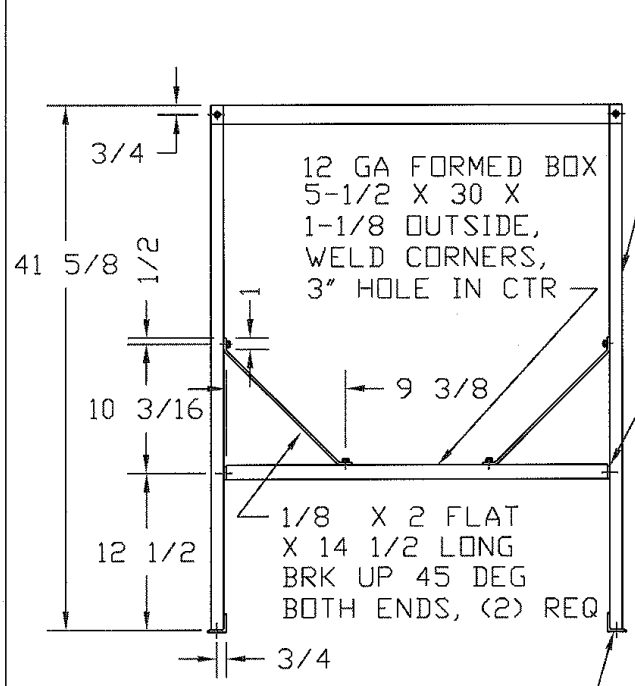


if it flows,
we go with it

1.800.665.4499
barrplastics.com

HARDWARE:
 (12) HEX HEAD CAP SCREWS, 5/16 X 1-1/4
 (12) 5/16 LOCK WASHERS
 (12) 5/16 HEX NUTS

REVISIONS				
ZONE	REV	DESCRIPTION	DATE	APPROVED
	A	WAS BLUE	27FEB02	



NOTE: ALL HOLES 3/8 DIA.
 FINISH ALL STEEL PARTS WITH
 BLACK ENAMEL

		NORWESCO ST. BONIFACIUS, MN		
		60 GALLON INDUCTOR TANK STAND		
JTP	29JUL96	SIZE A	FSCM NO.	DWG NO.
		SCALE 1/12	SHEET	
				REV A