

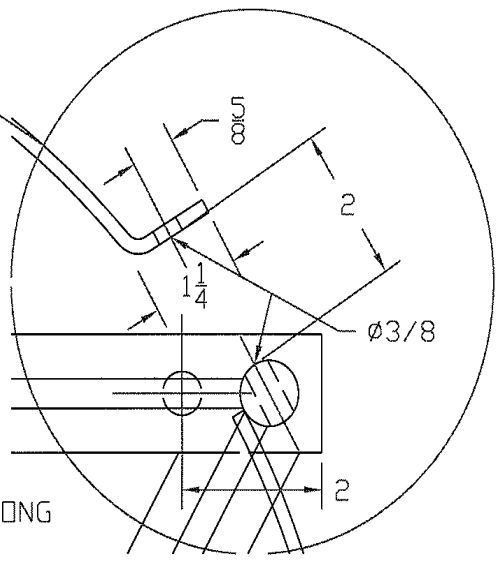
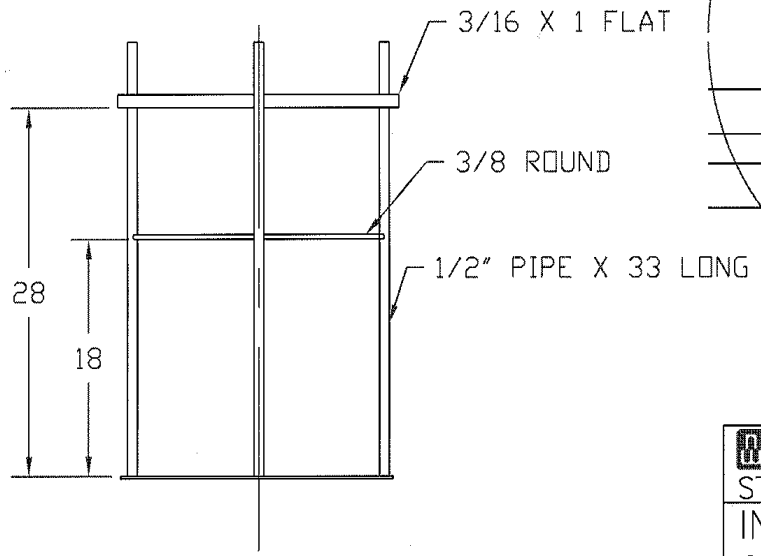
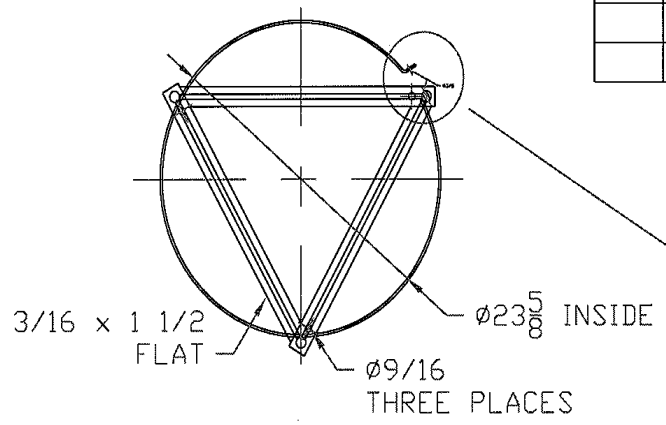


if it flows,
we go with it

1.800.665.4499
barrplastics.com

REVISIONS				
ZONE	REV	DESCRIPTION	DATE	APPROVED
	A	WAS 4	08DEC04	

DETAIL 1/2 SCALE



NOTE: ASSEMBLY INCLUDES 5/16 X 4-1/2 HHCS, LW & NUT

Ⓐ

NORWESCO

ST. BONIFACIUS, MN

INDUCTOR STAND

24 DIAMETER TANKS

JTP	14OCT04	SIZE A	FSCM NO.	DWG NO.	REV A
SCALE 1/12			SHEET		