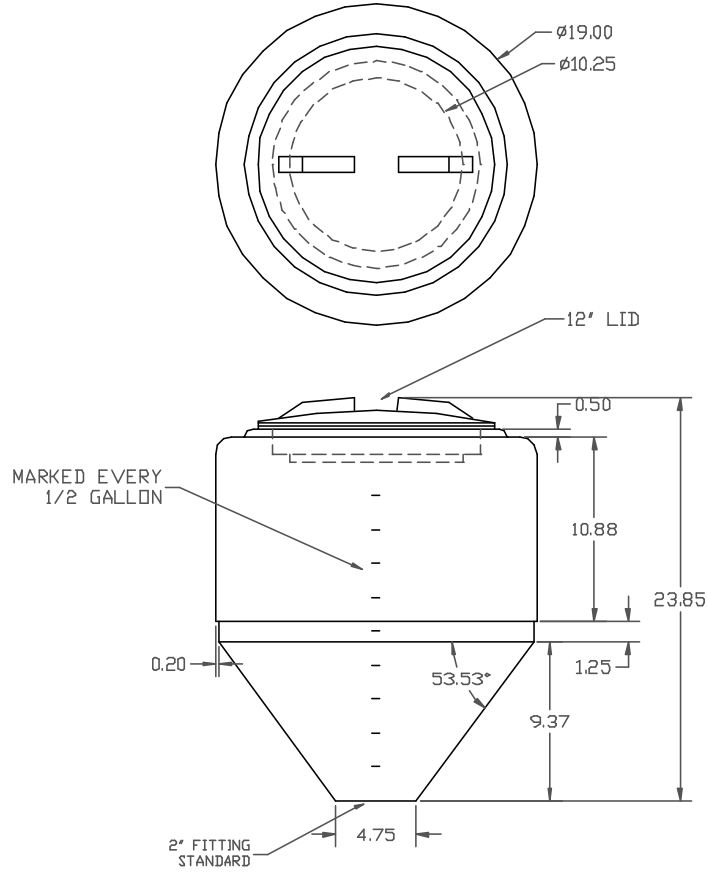



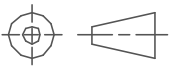


if it flows,  
we go with it

1.800.665.4499  
barrplastics.com

IN0015-19



		DRAWN / DATE DHJ 2/23/05		MATERIAL / SHOT WEIGHT POLYETHYLENE 10 LBS.		 <b>Ace Roto-Mold</b> A DIVISION OF DEN HARTOG INDUSTRIES, INC.	
		APPRD. / DATE					
REV	DESCRIPTION	DATE	APPRD.	THIRD ANGLE PROJECTION ANSI 14.5M 		SCALE NONE	
ALL DIMENSIONS ARE IN DECIMAL INCHES TOLERANCES UNLESS OTHERWISE SPECIFIED $\pm 1\%$ @ 68° F						NOTES: 0.20 WALL	