



if it flows,
we go with it

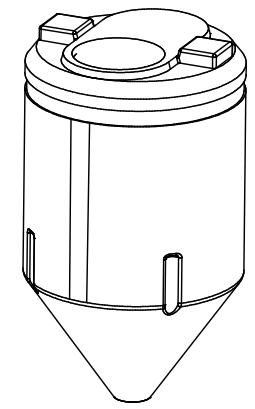
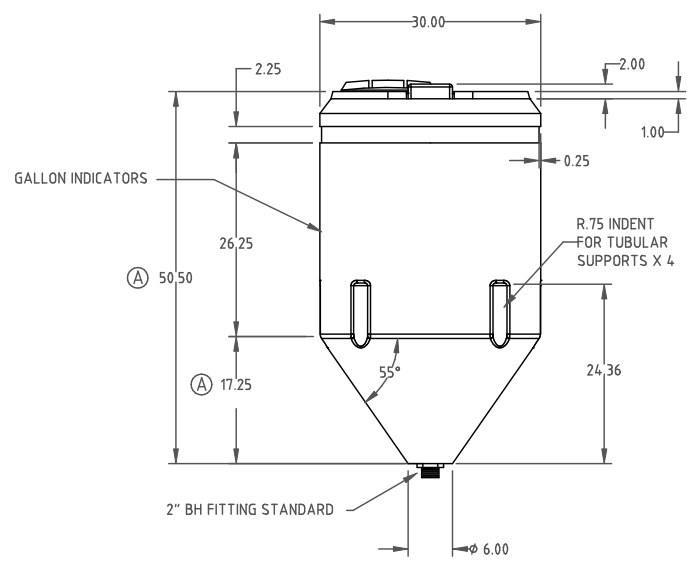
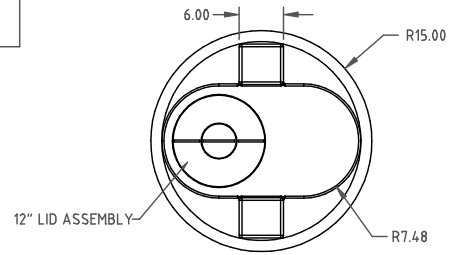
1.800.665.4499
barrplastics.com

PROPRIETARY DATA

PROPERTY OF ACE ROTO-MOLD MFG., INC. INFORMATION FURNISHED HEREIN IS THE PROPERTY OF ACE ROTO-MOLD MFG., INC. AND SHALL NOT BE USED, DISCLOSED TO OTHERS, OR COPIED WITHOUT THE EXPRESSED WRITTEN CONSENT OF ACE ROTO-MOLD MFG., INC. ALL RIGHTS RESERVED.

IN0110-30

A



				DRAWN / DATE REH / 6/14/99		MATERIAL		 ACE ROTO-MOLD A DIVISION OF DEN HARTOG INDUSTRIES, INC. 4018 HWY. 60 BLVD., BOX 421, HOSPERS, IOWA 51238	
A				APPRD. / DATE DHJ / 6/14/99		42 LB. MOBIL 134			
REV				DESCRIPTION		DATE		APPRD.	
ALL DIMENSIONS ARE IN DECIMAL INCHES TOLERANCES UNLESS OTHERWISE SPECIFIED \pm .005 @ 68° F				THIRD ANGLE PROJECTION ANSI 14.5M 		NOTES: 1. NATURAL COLOR 2. NOM. WALL .200		SCALE N.S.	
								PART NO. IN0110-30	