



if it flows,
we go with it

1.800.665.4499
barrplastics.com

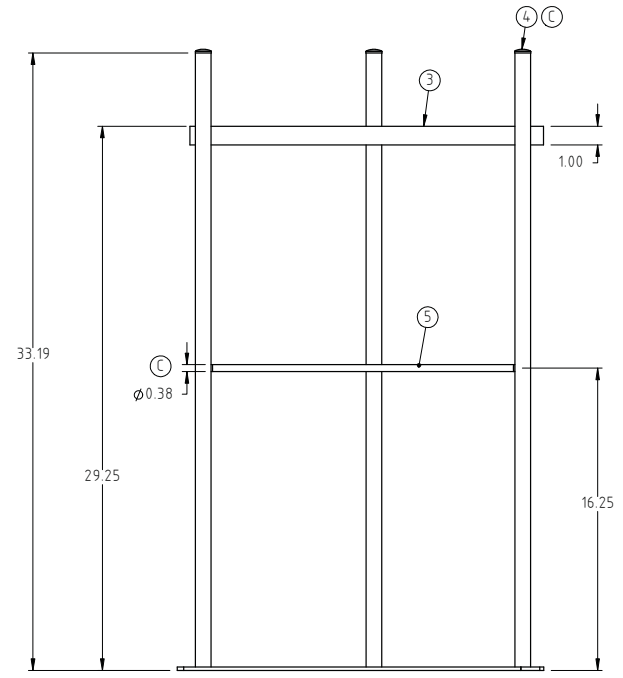
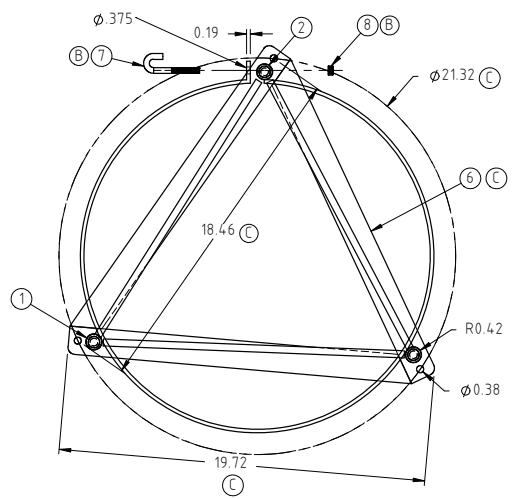
© DEN HARTOG INDUSTRIES, INC.

Copyright: All information furnished within this document, electronic file or design correspondence is the property of Den Hartog Industries, Inc. and shall not be used, disclosed to others or copied without the expressed written consent of Den Hartog Industries, Inc.

KEY	PART NUMBER	DESCRIPTION	QTY.
1	IN30-60-ST-1	LEG PIPE	2
2	IN30-60-ST-2	LEG PIPE W/ HOLE	1
3	IN15-ST-3	RING	1
4	12582	1/2" PIPE PLUG	3
5	IN15-ST-5	SIDE ROD	3
6	12080	BASE STRAP	3
7	J.313X3.00	J-BOLT, 5/16" X 3"	1
8	10280	NUT, 5/16" NYLOK ZINC	1

INFD15-ST

D



D	IN30-60-ST-1 AND IN30-60-ST-2 WERE INFD15-ST-1 AND INFD15-ST-2 DRAWING TEMPLATE/TABLE UPDATED	ADH 10/13/11	2300		
C	DIMENSIONS, BASE STRAPS AND LEG PLUGS UPDATED	ADH 10/10/08	1729	DRAWN / DATE	MATERIAL
B	PARTS 7, 8 AND FINISH NOTE ADDED. WEIGHT UPDATED	ADH 3/20/08	1626	ADH 12/11/07	
A	PART/DIMENSIONS UPDATED	ADH 10/4/07	1477	APPDR. / DATE	
REV	DESCRIPTION	BY / DATE	CCN CCN	REH 12/14/07	
ALL DIMENSIONS ARE IN DECIMAL INCHES TOLERANCES UNLESS OTHERWISE SPECIFIED		THIRD ANGLE PROJECTION ANSI 14.5M		SHOT WEIGHT:	NOTES:
POLYETHYLENE ±1% @ 68°F	METAL DECIMAL ± .125" FRACTION ± 1/4" ANGLE ± 1°			SHIPPING WEIGHT: 15.50 LBS	
				FINISH POWDER COATING, BLACK TILE, 40012	



Den Hartog
INDUSTRIES, INC.

Aero-Roto-Mold Injection Molding Blow Molding Sowjoy
4010 HOSPERS DRIVE S. BOX 425, HOSPERS, IOWA 51238-0425

DESCRIPTION INDUCTOR STAND FOR 15 GALLON FULL DRAIN TANKS

SCALE N.S.

PART NO. INFD15-ST