

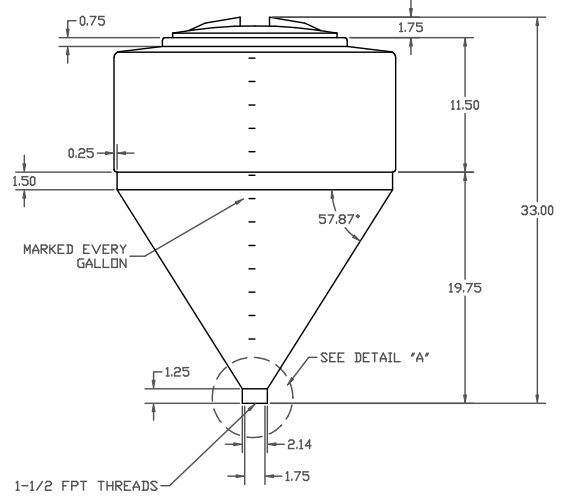
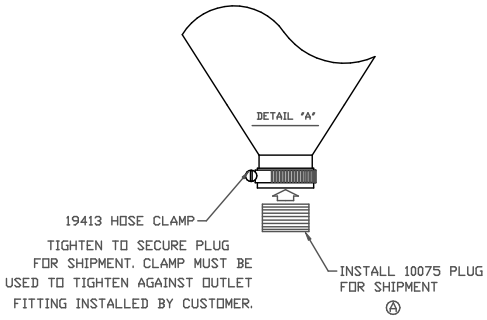
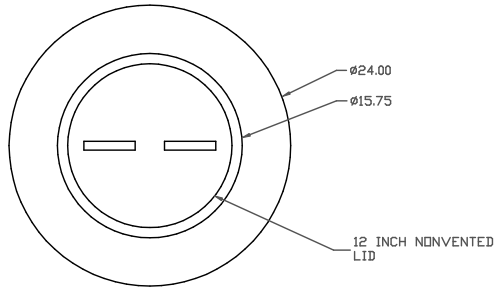


if it flows,
we go with it

1.800.665.4499
barrplastics.com

PROPRIETARY DATA
INFORMATION FURNISHED HEREIN IS THE PROPERTY OF DEN HARTOG INDUSTRIES INC. AND SHALL NOT BE USED, DISCLOSED TO OTHERS, OR COPIED WITHOUT EXPRESSED WRITTEN CONSENT OF DEN HARTOG IND. ALL RIGHTS RESERVED.

INF D30-24 A



		DRAWN /DATE DHJ 2/7/07	MATERIAL POLYETHYLENE 15 LBS.	Ace Roto-Mold A DIVISION OF DEN HARTOG INDUSTRIES, INC. HOSPERS DRIVE SOUTH, BOX 421, HOSPERS, IOWA 51238
A REV	10075 PLUG WAS 19412 PLUG CCN 1579 DESCRIPTION	APPRD. /DATE REH 6/29/07	NOTES: .22 WALL	
ALL DIMENSIONS ARE IN DECIMAL INCHES TOLERANCES UNLESS OTHERWISE SPECIFIED $\pm 1\% @ 68^{\circ}F$		THIRD ANGLE PROJECTION ANSI 14.5M 	SCALE NONE	PART NO. INF D30-24