

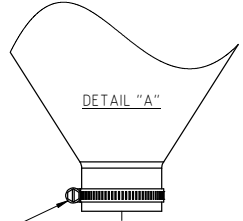
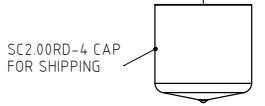
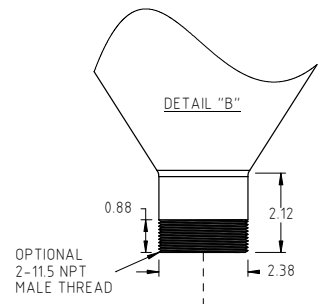


if it flows,
we go with it

1.800.665.4499
barrplastics.com

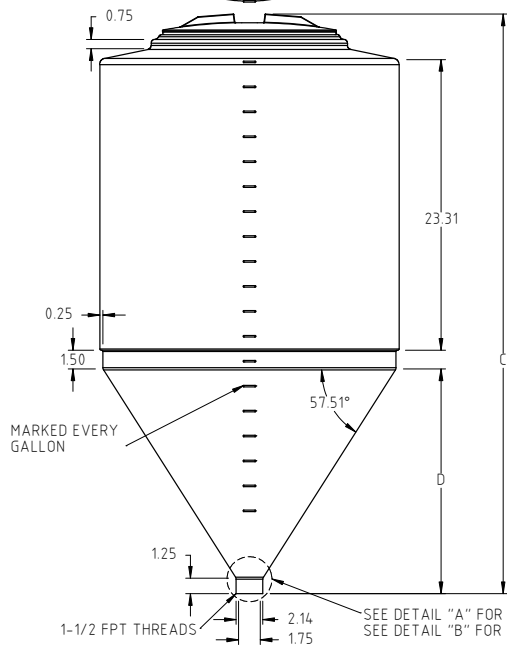
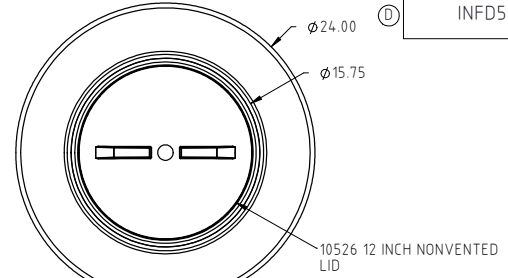
© DEN HARTOG INDUSTRIES, INC.

Copyright: All information furnished within this document, electronic file or design correspondence is the property of Den Hartog industries, Inc. and shall not be used, disclosed to others or copied without the expressed written consent of Den Hartog Industries, Inc.



19413 HOSE CLAMP
TIGHTEN TO SECURE PLUG FOR SHIPMENT. CLAMP MUST BE USED TO TIGHTEN AGAINST OUTLET FITTING INSTALLED BY CUSTOMER

INSTALL 10075 PLUG FOR SHIPMENT



DIMENSION C
46.20 FOR 1.5 NPT OUTLET
46.95 FOR 2.0 NPT OUTLET

DIMENSION D
18.02 FOR 1.5 NPT OUTLET
18.77 FOR 2.0 NPT OUTLET

D	55 WAS 60	ADH 12/11/13	2755
C	ADDED 2 INCH MALE THREAD OPTION	DHJ 8/15/11	2269
B	10075 PLUG WAS 19412	ADH 1/28/08	1579
A	CORRECT PART NUMBER	DHJ 5/24/07	
REV	DESCRIPTION	BY / DATE	CCN

DRAWN / DATE	MATERIAL
DHJ 4/10/05	MEDIUM DENSITY POLYETHYLENE
APPRD. / DATE	
ADH 3/14/06	

ALL DIMENSIONS ARE IN DECIMAL INCHES TOLERANCES UNLESS OTHERWISE SPECIFIED		THIRD ANGLE PROJECTION ANSI 14.5M
POLYETHYLENE ±1% @ 68°F	METAL DECIMAL ± .125" FRACTION ± 1/4" ANGLE ± 1°	

SHOT WEIGHT: 22.00 LBS	NOTES:
SHIPPING WEIGHT: 24.00 LBS	1.) 0.22 NOM. WALL
FINISH:	

DESCRIPTION	55 GALLON INDUCTOR (FULL DRAIN)
SCALE	N.S.
PART NO.	INF055-24

This document contains proprietary information. It is intended solely for use of potential clients involved or to be involved in a transaction with BARR Plastics Inc. Such proprietary information may not be used, reproduced, or disclosed for any other purpose without the expressed written permission.

© 2019 BARR PLASTICS INC