

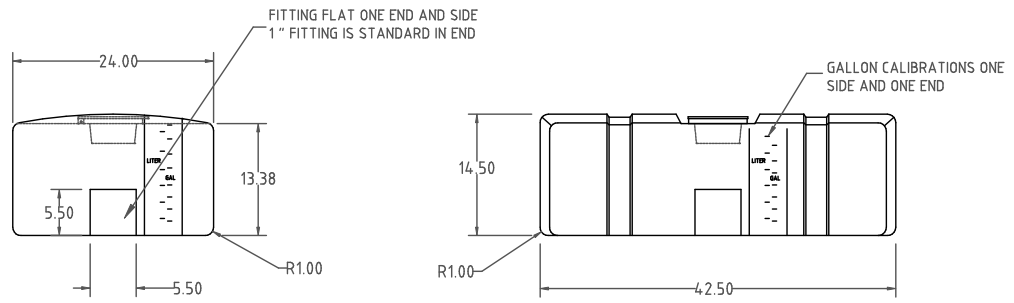
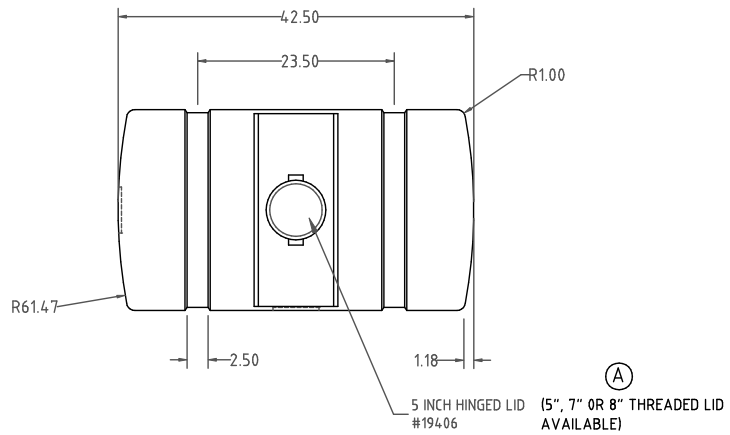


if it flows,
we go with it

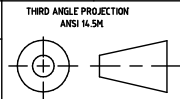
1.800.665.4499
barrplastics.com


© DEN HARTOG INDUSTRIES, INC.
Copyright. All information furnished within this document, electronic file or design correspondence is the property of Den Hartog Industries, Inc. and shall not be used, disclosed to others or copied without the expressed written consent of Den Hartog Industries, Inc.

LP0050-RT A



				DRAWN / DATE DHJ 6/14/06	MATERIAL 10420 3 MELT
A	5", 7" AND 8" LID ADDED	REH 10/14/10	2100	APPRD. / DATE REH 6/16/08	
REV	DESCRIPTION	BY / DATE	CCN		
	ALL DIMENSIONS ARE IN DECIMAL INCHES TOLERANCES UNLESS OTHERWISE SPECIFIED			SHOT WEIGHT: 35LB.	NOTES: 1. .260 NOM. WALL
	POLYETHYLENE ±1% @ 68° F			SHIPPING WEIGHT: 37 LB.	
	METAL DECIMAL ± .125" FRACTION ± 1/4" ANGLE ± 1°			FINISH:	





Den Hartog
INDUSTRIES, INC.
Ace Roto-Mold Injection Molding Blow Molding Savjoy
4010 HOSPERS DRIVE S. BOX 425, HOSPERS, IOWA 51238-0425

DESCRIPTION	50 GALLON RECTANGULAR TANK	
SCALE	N.S.	PART NO. LP0050-RT