



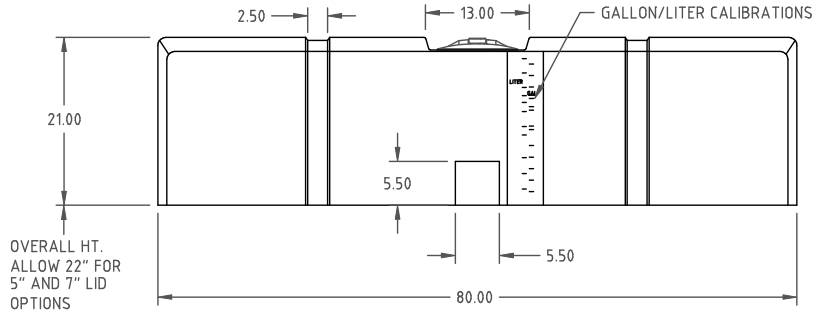
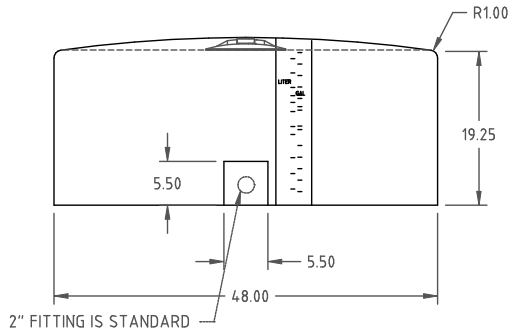
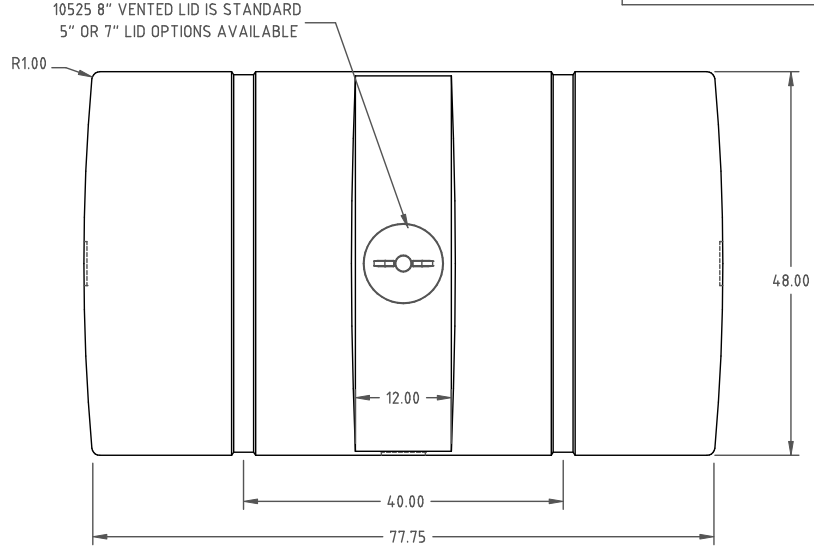
if it flows,
we go with it

1.800.665.4499
barrplastics.com

© DEN HARTOG INDUSTRIES, INC.

Copyright. All information furnished within this document, electronic file or design correspondence is the property of Den Hartog Industries, Inc. and shall not be used, disclosed to others or copied without the expressed written consent of Den Hartog Industries, Inc.

LP0300-RT



		DRAWN / DATE DHJ 6/12/06		MATERIAL HDPE OR EQUIVALENT REFERENCE MATERIAL DATA SHEET FOR SPECIFIC PROPERTIES.		 Den Hartog INDUSTRIES, INC. <small>Ace Roto-Mold Injection Molding Blow Molding Sowjoy 4010 HOSPERS DRIVE S. BOX 425, HOSPERS, IOWA 51238-0421</small>	
		APPRD. / DATE REH 10/11/10					
REV	DESCRIPTION	BY / DATE	CCN	SHOT WEIGHT: 133 LB.		DESCRIPTION 300 GAL. LOW PROFILE RECTANGULAR TANK	
ALL DIMENSIONS ARE IN DECIMAL INCHES TOLERANCES UNLESS OTHERWISE SPECIFIED				SHIPPING WEIGHT: 135 LB.		SCALE N.S.	
POLYETHYLENE		THIRD ANGLE PROJECTION ANSI 14.5M		FINISH:		PART NO. LP0300-RT	
±1% @ 68° F		 METAL DECIMAL ± .125" FRACTION ± 1/4" ANGLE ± 1°		NOTES: 1. NOM. WALL @ .310 2. NATURAL OR YELLOW COLOR			