

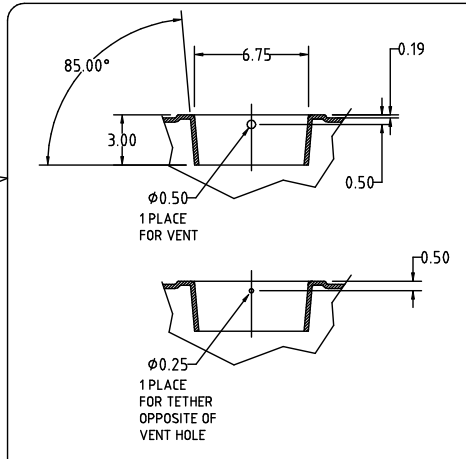
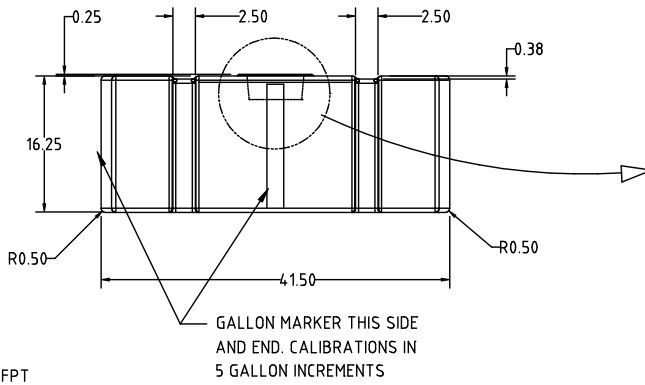
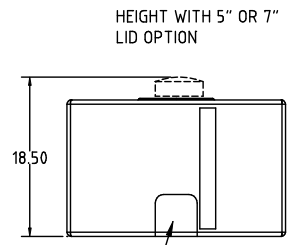
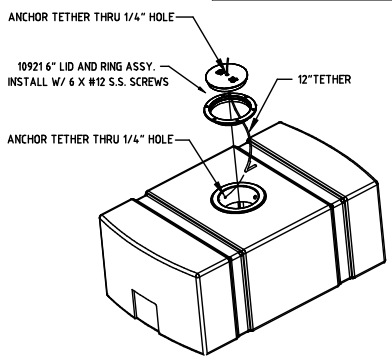
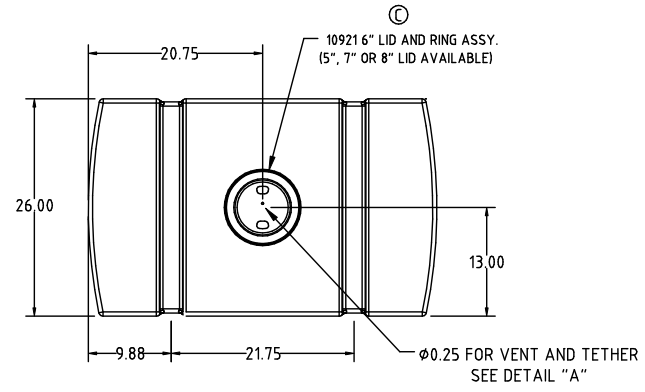


if it flows,
we go with it

1.800.665.4499
barrplastics.com

DEN HARTOG INDUSTRIES, INC.
Copyright: All information furnished within this document, electronic file or design correspondence is the property of Den Hartog Industries, Inc. and shall not be used, disclosed to others or copied without the expressed written consent of Den Hartog Industries, Inc.

LP0068-RT



C	5", 7" AND 8" LID ADDED	REH 6/7/10	2036	DRAWN / DATE	MATERIAL 10420 3 MELT
B	PART NUMBER UPDATED	ADH 8/19/08	1700	REH 10/21/01	
A	ADDED TETHER 12/6/01			APPRD. / DATE DHJ 10/21/01	
REV	DESCRIPTION	BY / DATE	CCN		
ALL DIMENSIONS ARE IN DECIMAL INCHES TOLERANCES UNLESS OTHERWISE SPECIFIED		THIRD ANGLE PROJECTION ANSI 14.5M		SHOT WEIGHT: 40LB.	NOTES: 1. 270 NOM. WALL
POLYETHYLENE		METAL		SHIPPING WEIGHT: 42 LB.	
±1% @ 68° F		DECIMAL ± .125" FRACTION ± 1/4" ANGLE ± 1°		FINISH:	

Den Hartog
INDUSTRIES, INC.

Ace Roto-Mold Injection Molding Blow Molding Sorjay
4010 HOSPERS DRIVE S. BOX 425, HOSPERS, IOWA 51238-0425

DESCRIPTION		68 GALLON RECTANGULAR TANK	
SCALE	N.S.	PART NO.	LP0068-RT