



if it flows,
we go with it

1.800.665.4499
barrplastics.com

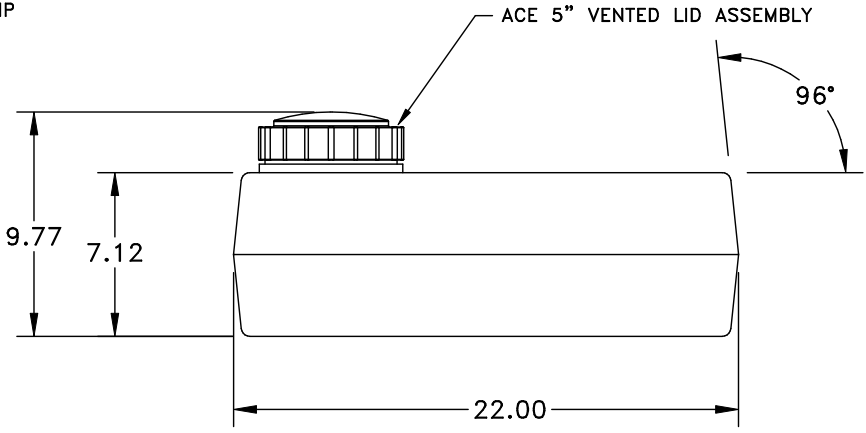
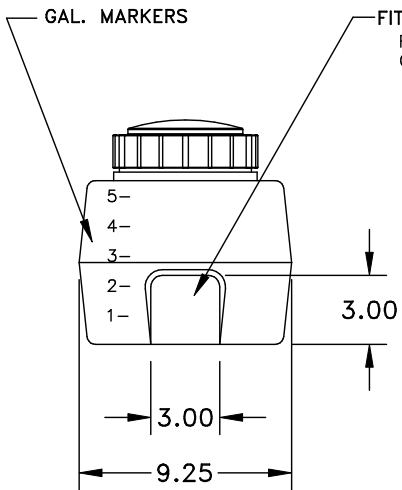
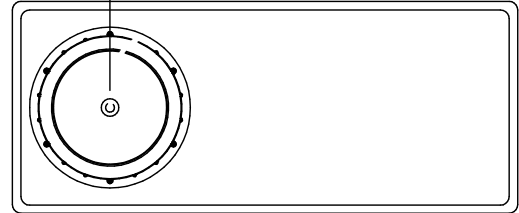
PROPRIETARY DATA

PROPERTY OF ACE ROTO-MOLD MFG., INC. INFORMATION FURNISHED HEREIN IS THE PROPERTY OF ACE ROTO-MOLD MFG., INC. AND SHALL NOT BE USED, DISCLOSED TO OTHERS, OR COPIED WITHOUT THE EXPRESSED WRITTEN CONSENT OF ACE ROTO-MOLD MFG., INC. ALL RIGHTS RESERVED.

NOTE: THIS PRODUCT IS NOT DESIGNED TO CONTAIN PETROLEUM PRODUCTS. CONSULT THE FACTORY REGARDING CHEMICAL COMPATABILITY

SP0005-RT A

4.25



Ⓐ

SHIPPING WEIGHT = 6LB.

			DRAWN / DATE REH/12/30/01		MATERIAL / SHOT WEIGHT				ACE ROTO-MOLD A DIVISION OF DEN HARTOG INDUSTRIES, INC.	
A WAS 4LB. CCN1389 7/18/07			APPRD. / DATE DHJ/12/30/01		M111	M135	U625	P938		
REV	DESCRIPTION	DATE	APPRD			5 LB.				CLIENT / DESCRIPTION
				THIRD ANGLE PROJECTION ANSI 14.5M		NOTES: 1. NATURAL COLOR				ACE 5 GALLON RECTANGULAR TANK
ALL DIMENSIONS ARE IN DECIMAL INCHES TOLERANCES UNLESS OTHERWISE SPECIFIED ± 2% @ 68° F						SCALE N.S.				PART NO. SP0005-RT