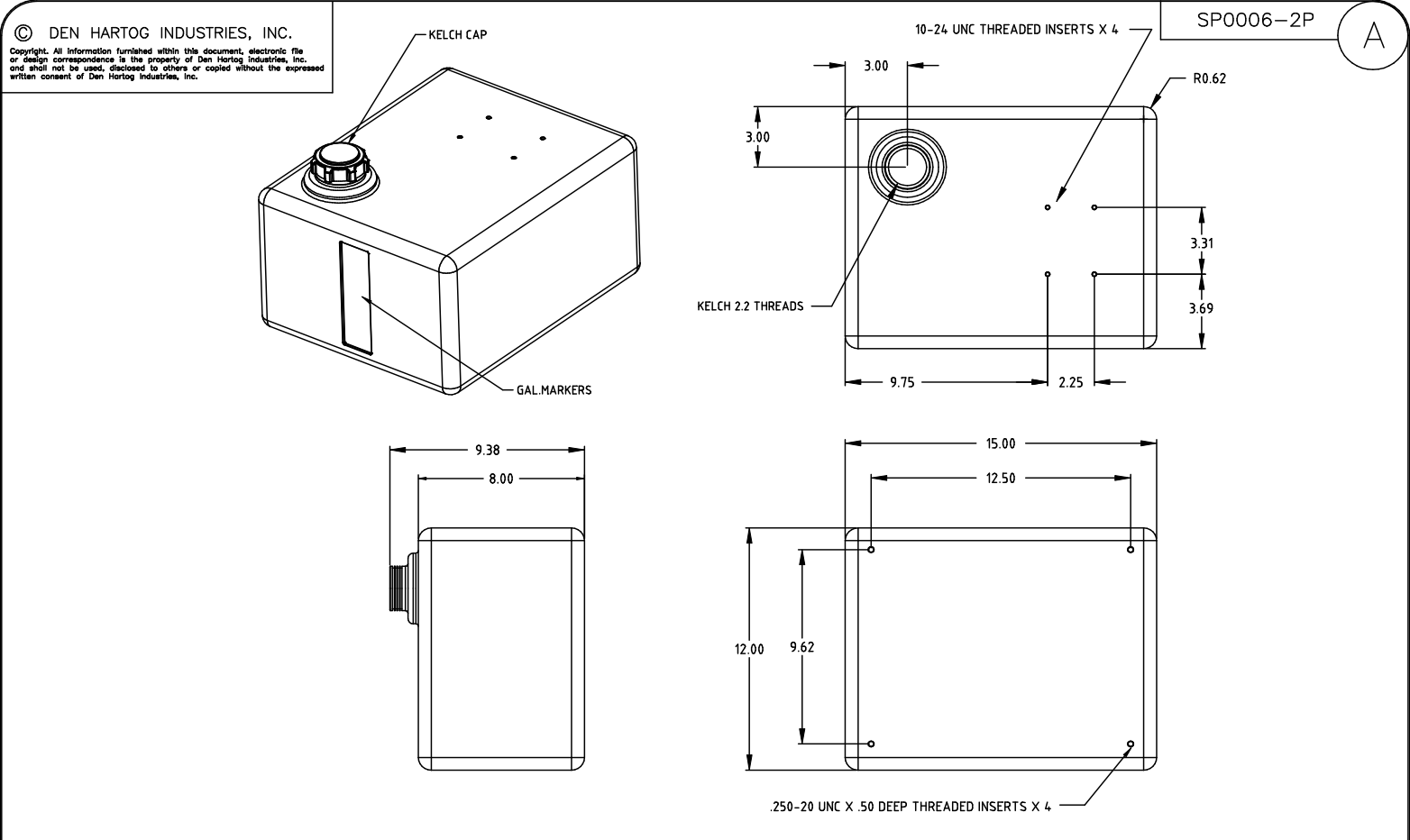




if it flows,
we go with it

1.800.665.4499
barrplastics.com



SP0006-2P A

				DRAWN / DATE DHJ / 8/19/99	MATERIAL	 Den Hartog INDUSTRIES, INC. <small>Ace Ratio-Mold Injection Molding Blow Molding Sawtooth</small> 4010 HOSPERS DRIVE SOUTH, BOX 421, HOSPERS, IOWA 51238	
A	SHOT WEIGHT CORRECTED	CCN 1801	2/16/09	ADH	APPD. / DATE REH / 8/19/99		◎ 5 LB. MOBIL 134
REV	DESCRIPTION	DATE	APPD.			CLIENT / DESCRIPTION 6 GAL. SPRAYER TANK	
ALL DIMENSIONS ARE IN DECIMAL INCHES TOLERANCES UNLESS OTHERWISE SPECIFIED $\pm 1\% \text{ @ } 68^\circ \text{ F}$				THIRD ANGLE PROJECTION ANSI 14.5M 	NOTES: 1. NATURAL COLOR 2. NOM. WALL .150	SCALE N.S.	PART NO. SP0006-2P