



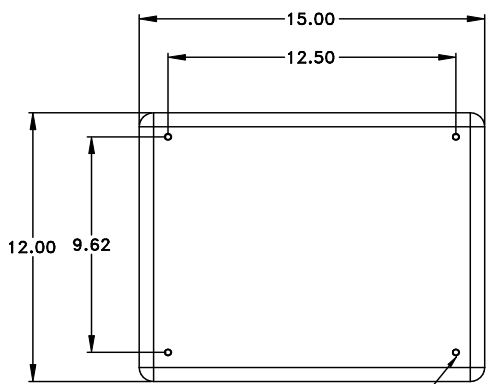
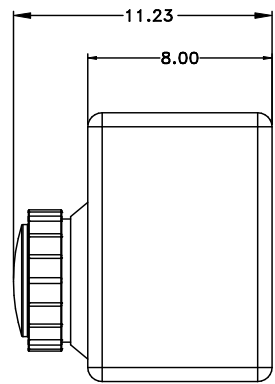
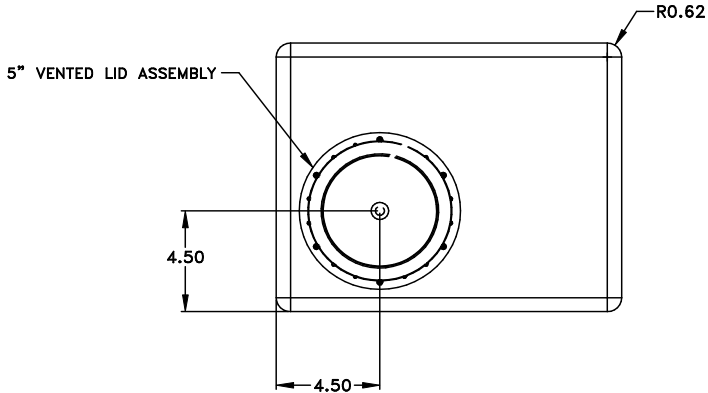
if it flows,  
we go with it

1.800.665.4499  
barrplastics.com

© DEN HARTOG INDUSTRIES, INC.  
Copyright. All information furnished within this document, electronic file or design correspondence is the property of Den Hartog Industries, Inc. and shall not be used, disclosed to others or copied without the expressed written consent of Den Hartog Industries, Inc.

SP0006-5N

A



.250-20 UNC X .50 DEEP THREADED INSERTS X 4

				DRAWN / DATE DHJ / 7/26/01		MATERIAL		 <b>Den Hartog</b> INDUSTRIES, INC. Ace Roto-Mold Injection Molding Blow Molding Sowjoy 4010 HOSPERS DRIVE S. BOX 425, HOSPERS, IOWA 51238-0421	
A	SHOT WEIGHT CORRECTED	CCN 1802	2/16/09	ADH	APPRD. / DATE REH / 7/26/01	⑤ 5 LB. MOBIL 134			
REV	DESCRIPTION	DATE	APPRD			NOTES: 1. NATURAL COLOR 2. NOM. WALL .150		CLIENT / DESCRIPTION 6 GAL. SPECIALTY TANK	
ALL DIMENSIONS ARE IN DECIMAL INCHES TOLERANCES UNLESS OTHERWISE SPECIFIED $\pm 1\% \text{ @ } 68^\circ \text{ F}$				THIRD ANGLE PROJECTION ANSI 14.5M 		SCALE N.S.		PART NO. SP0006-5N	