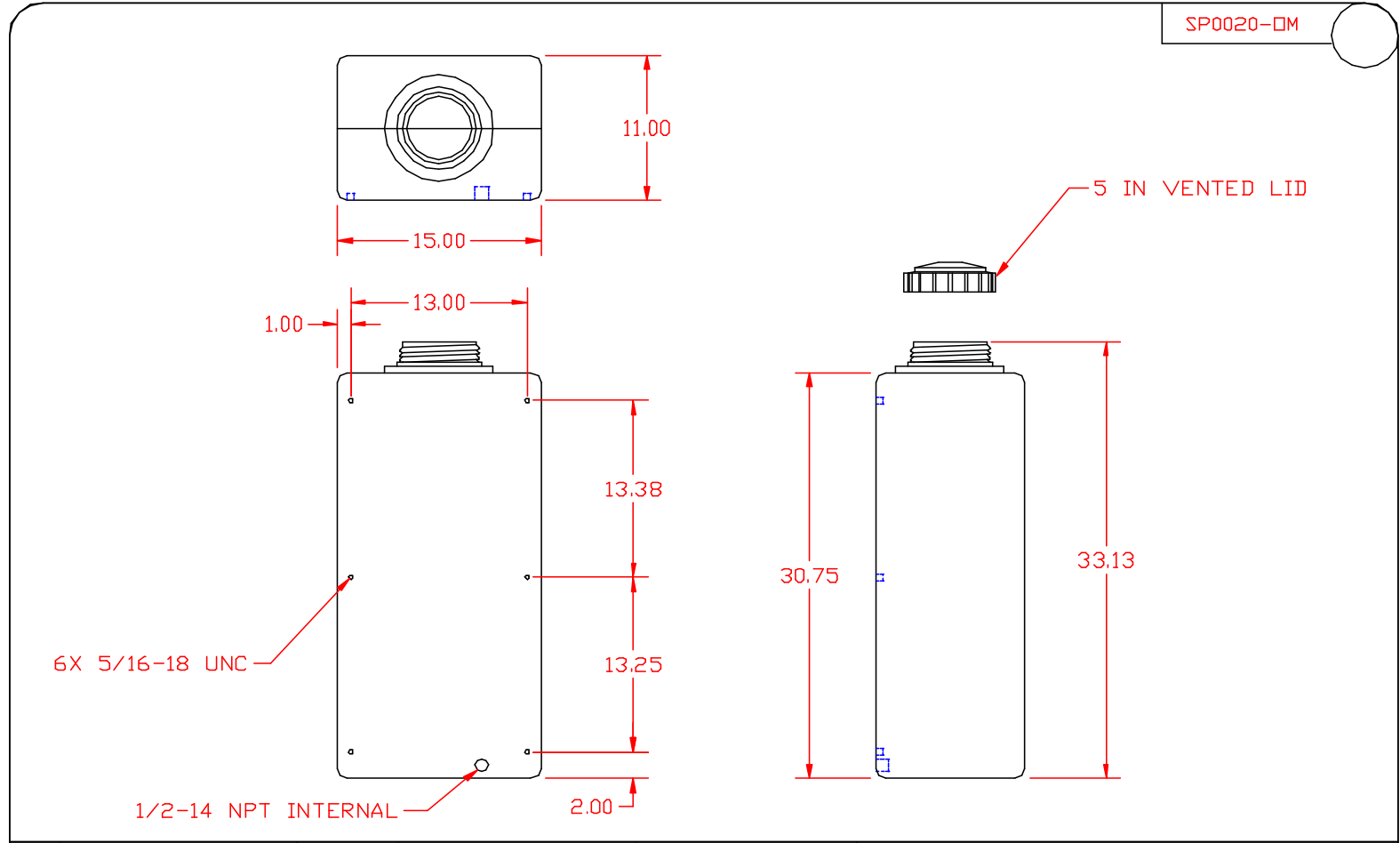




if it flows,  
we go with it

1.800.665.4499  
barrplastics.com



SP0020-DM

		DRAWN / DATE DHJ/1/7/03		MATERIAL / SHOT WEIGHT		 Ace Roto-Mold A DIVISION OF DEN HARTOG INDUSTRIES, INC.	
		APPRD. / DATE		16 LBS.			
REV	DESCRIPTION	DATE	APPRD.	THIRD ANGLE PROJECTION ANSI 14.5M 		CLIENT / DESCRIPTION	
ALL DIMENSIONS ARE IN DECIMAL INCHES TOLERANCES UNLESS OTHERWISE SPECIFIED $\pm 1\%$ @ 68° F						NOTES: 1. NOM. WALL .230	
						SCALE	PART NO.
						NONE	SP0020-DM