


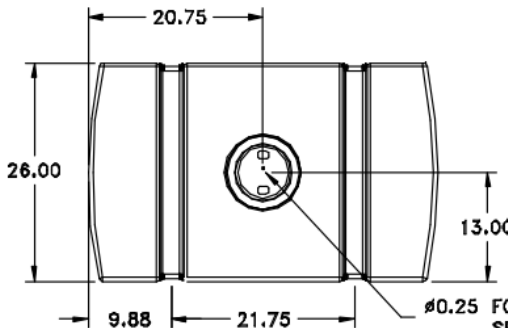


if it flows,
we go with it

1.800.665.4499
barrplastics.com



DRILL $\varnothing 0.25$ THRU
UNDERSIDE TUBE



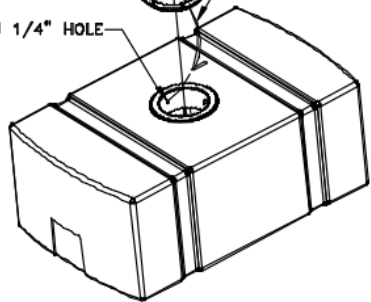
SPO068-RT A

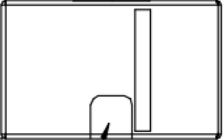
ANCHOR TETHER THRU 1/4" HOLE

10921 6" LID AND RING ASSY.
INSTALL W/ 6 X #12 S.S.
SCREWS

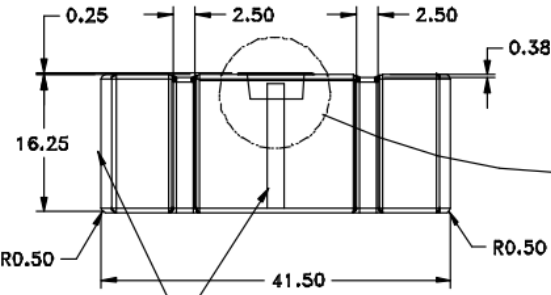
12" TETHER
SCREWS

ANCHOR TETHER THRU 1/4" HOLE

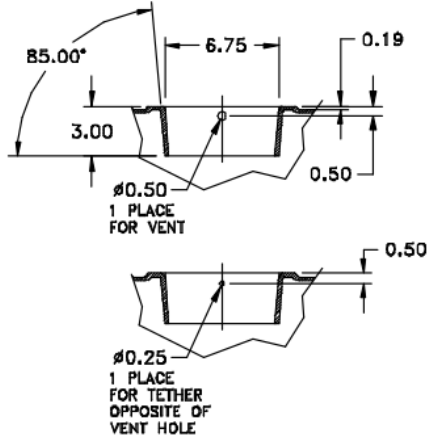




FITTING FLAT .50 DEEP
ONE END ONLY
STANDARD FITTING IS 1" FPT

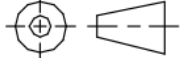


GALLON MARKER THIS SIDE
AND END. CALIBRATIONS IN
5 GALLON INCREMENTS



$\varnothing 0.50$
1 PLACE
FOR VENT

$\varnothing 0.25$
1 PLACE
FOR TETHER
OPPOSITE OF
VENT HOLE

		DRAWN / DATE REH / 10/21/01	MATERIALS MOBIL 134 / NAT. COLOR SHOT WT. = 40.0 LB.	<p>ACE ROTO-MOLD A DIVISION OF DEN HARTOG INDUSTRIES, INC. 401B HWY. 80 BLVD., BOX 421 HOSPERS, IOWA 51238</p>		
A	ADDED TETHER	12/8/01	APPRD. / DATE REH / 10/21/01	CLIENT / DESCRIPTION		
REV	DESCRIPTION	DATE	APPRD.	68 GAL. RECTANGULAR TANK		
ALL DIMENSIONS ARE IN DECIMAL INCHES TOLERANCES UNLESS OTHERWISE SPECIFIED $\pm 1\% @ 68^\circ F$				THIRD ANGLE PROJECTION ANSI 14.5M 	SCALE N.S.	PART NO. SPO068-RT