

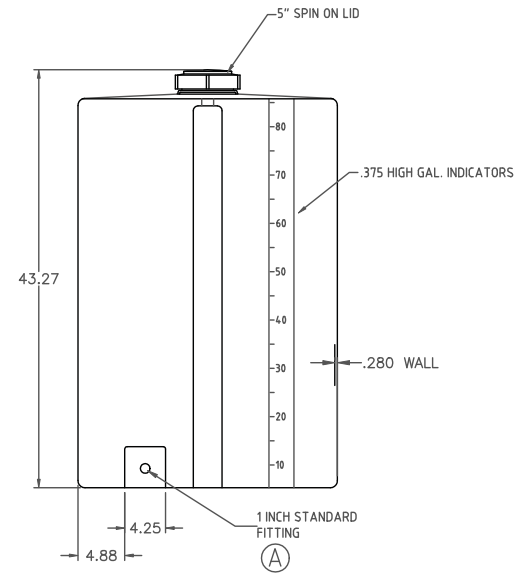
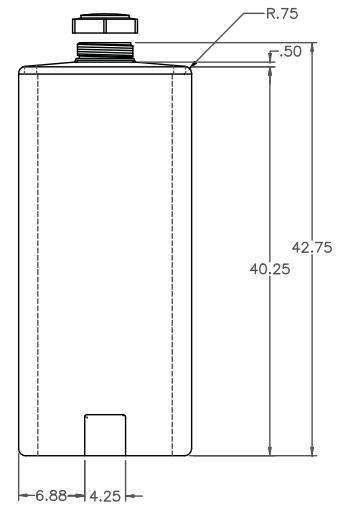
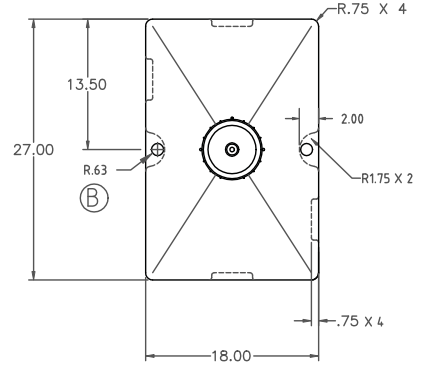


if it flows,  
we go with it

1.800.665.4499  
barrplastics.com

© DEN HARTOG INDUSTRIES, INC.  
Copyright: All information furnished within this document, electronic file or design correspondence is the property of Den Hartog Industries, Inc. and shall not be used, disclosed to others or copied without the expressed written consent of Den Hartog Industries, Inc.

SP0080-RT C



C	40 WAS 44, DRAWING TEMPLATE UPDATED	ADH 8/20/09	1915	DRAWN / DATE DHJ/3/23/98	MATERIAL MOBIL 134	 <b>Den Hartog</b> INDUSTRIES, INC. <small>Ace Roto-Mold Injection Molding Blow Molding Sowjoy          4010 HOSPERS DRIVE S. BOX 425, HOSPERS, IOWA 51238-0421</small>
B	ADD THROUGH HOLE TO DRAWING	10/27/08		APPRD. / DATE REH/3/23/98		
A	ADD STANDARD FITTING	6 / 7 / 06				
REV	DESCRIPTION	BY / DATE	CCN			
ALL DIMENSIONS ARE IN DECIMAL INCHES TOLERANCES UNLESS OTHERWISE SPECIFIED		THIRD ANGLE PROJECTION ANSI 14.5M		SHOT WEIGHT: <span style="border: 1px solid black; border-radius: 50%; padding: 2px;">C</span> 40 LB.	NOTES: 1.) STD. COLOR IS NATURAL	DESCRIPTION ACE 80 GALLON RT
POLYETHYLENE ±1% @ 68° F	METAL DECIMAL ± .125" FRACTION ± 1/4" ANGLE ± 1°			SHIPPING WEIGHT:		SCALE N.S.
				FINISH:		