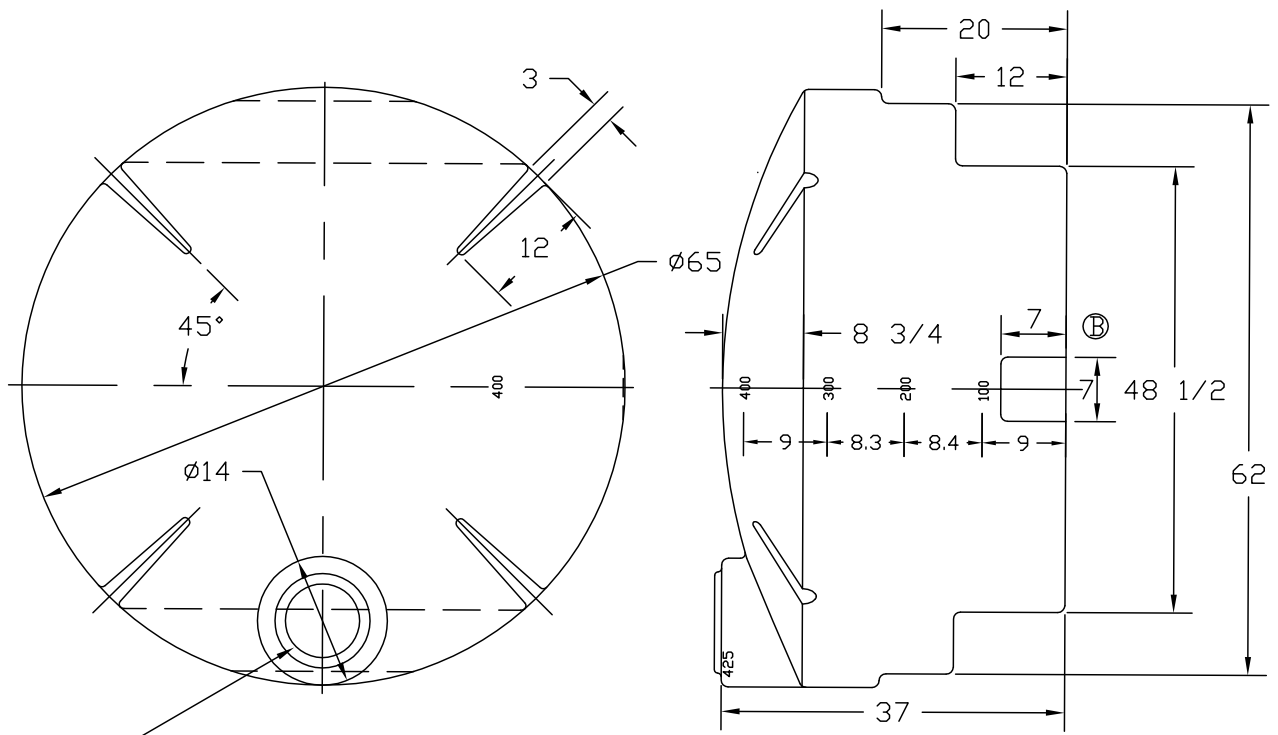




if it flows,  
we go with it

1.800.665.4499  
barrplastics.com

<b>NORWESCO</b>		REV
ST. BONIFACIUS, MN		
425 USG (1609 LTRS)		
PICKUP TANK		
WT. (LBS)	DWG. NO.	
96.8	<b>40102</b>	



8 1/4 ACME THREAD, RH

ALL INFORMATION CONTAINED IN THIS DRAWING IS STRICTLY CONFIDENTIAL AND PROPERTY OF BARR PLASTICS INC. NO PART SHALL BE COPIED OR REPRODUCED WITHOUT THE WRITTEN CONSENT OF BARR PLASTICS INC.

**Customer Drawing Approval**

Customer \_\_\_\_\_

Barr Plastic Inc. \_\_\_\_\_



DATE: 15 SEP 05

PROJECT:	-
TANK APPROVAL DWG	
CLIENT:	-
DRAWING REF:	
SCALE:	-
REV:	

**MATERIAL SPECIFICATIONS**  
 HDPE 1.5 SPG  
 ALL FITTINGS ARE  
 POLYPROPYLENE WITH  
 EPDM GASKETS