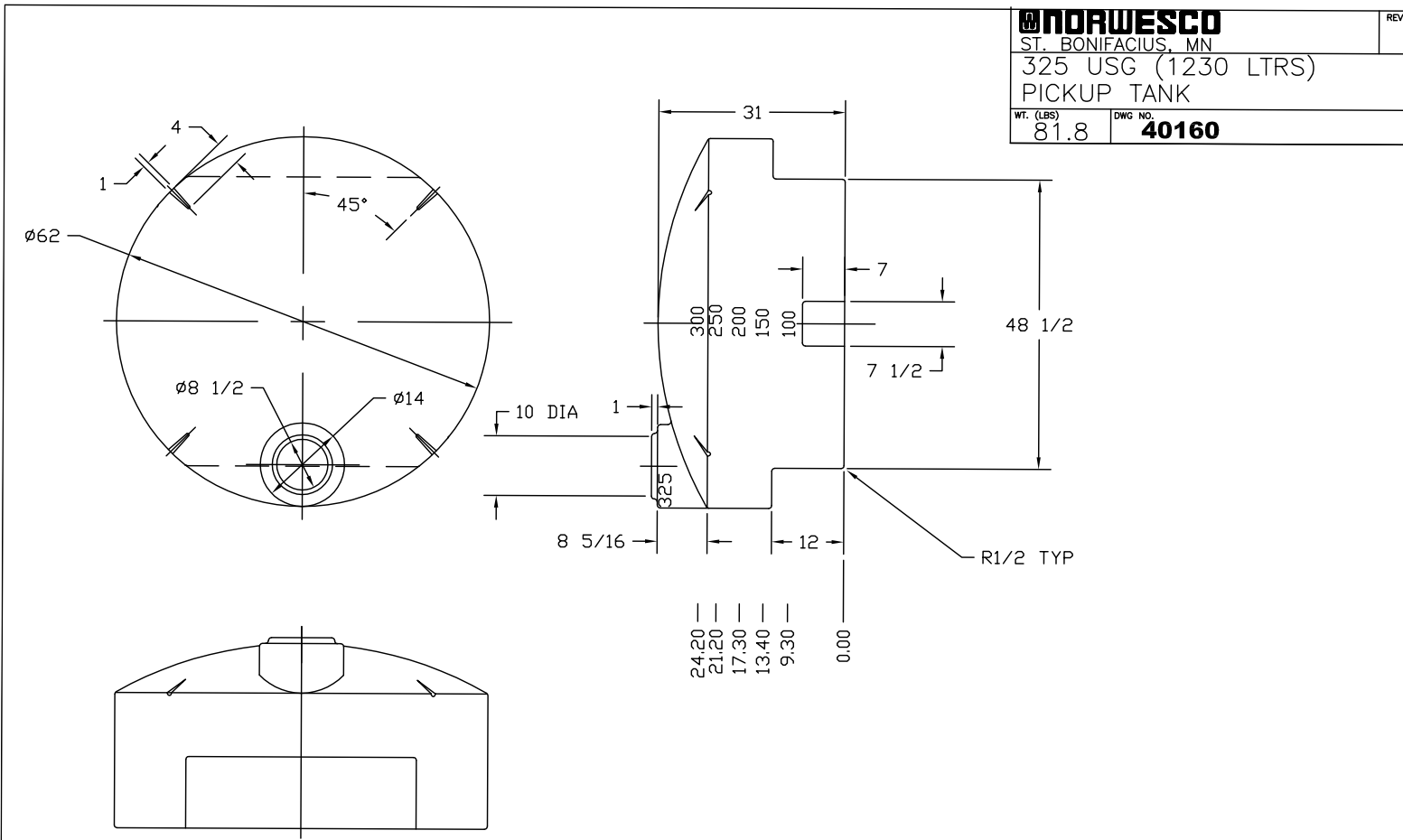




if it flows,  
we go with it

1.800.665.4499  
barrplastics.com



<b>NORWESCO</b>		REV
ST. BONIFACIUS, MN		
325 USG (1230 LTRS)		
PICKUP TANK		
WT. (LBS)	DWG NO.	
81.8	<b>40160</b>	

ALL INFORMATION CONTAINED IN THIS DRAWING IS STRICTLY CONFIDENTIAL AND PROPERTY OF BARR PLASTICS INC. NO PART SHALL BE COPIED OR REPRODUCED WITHOUT THE WRITTEN CONSENT OF BARR PLASTICS INC.

**Customer Drawing Approval**

Customer \_\_\_\_\_

Barr Plastic Inc. \_\_\_\_\_



DATE: 15 SEP 05

PROJECT:	-
TANK APPROVAL DWG	
CLIENT:	-
DRAWING REF:	
SCALE:	-
REV:	

MATERIAL SPECIFICATIONS

HDPE 1.5 SPG

ALL FITTINGS ARE  
POLYPROPYLENE WITH  
EPDM GASKETS