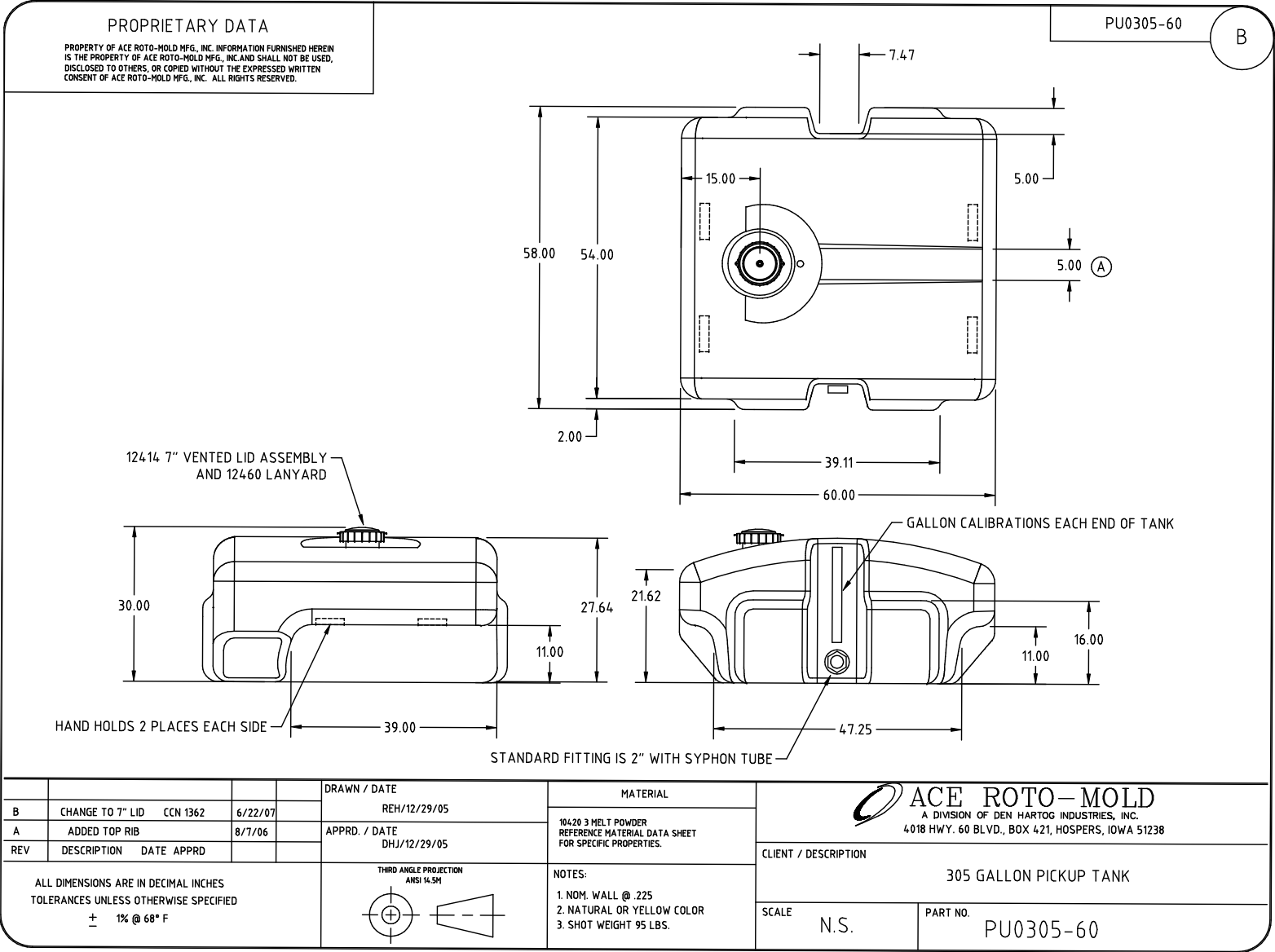




if it flows,
we go with it

1.800.665.4499
barrplastics.com



				DRAWN / DATE REH/12/29/05	MATERIAL	 ACE ROTO-MOLD A DIVISION OF DEN HARTOG INDUSTRIES, INC. 4018 HWY. 60 BLVD., BOX 421, HOSPERS, IOWA 51238	
B	CHANGE TO 7" LID	CCN 1362	6/22/07	APPRD. / DATE DHJ/12/29/05	10420 3 MELT POWDER REFERENCE MATERIAL DATA SHEET FOR SPECIFIC PROPERTIES.	CLIENT / DESCRIPTION	
A	ADDED TOP RIB		8/7/06			305 GALLON PICKUP TANK	
REV	DESCRIPTION	DATE	APPRD			SCALE	PART NO.
						N.S.	PU0305-60
ALL DIMENSIONS ARE IN DECIMAL INCHES TOLERANCES UNLESS OTHERWISE SPECIFIED \pm 1% @ 68° F				THIRD ANGLE PROJECTION ANSI 14.5M 	NOTES: 1. NOM. WALL @ .225 2. NATURAL OR YELLOW COLOR 3. SHOT WEIGHT 95 LBS.		