



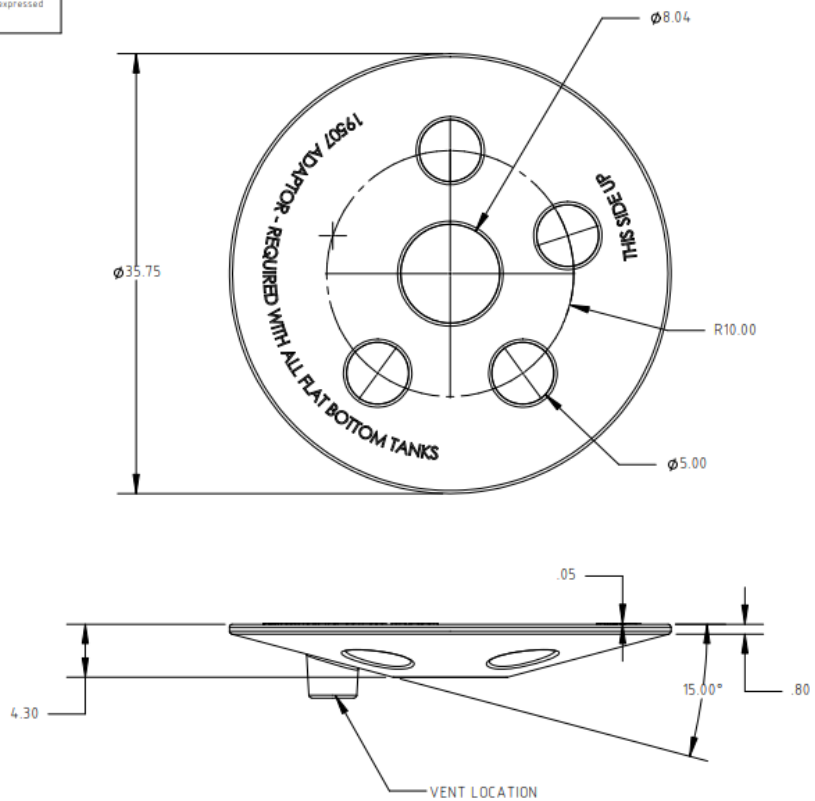
if it flows,
we go with it

1.800.665.4499
barrplastics.com

© DEN HARTOG INDUSTRIES, INC.

19507

Copyright: All information furnished within this document, electronic file or design correspondence is the property of Den Hartog Industries, Inc. and shall not be used, disclosed to others or copied without the expressed written consent of Den Hartog Industries, Inc.



REV		DESCRIPTION	BY / DATE	CCN	DRAWN / DATE REH 12/2/10	MATERIAL 11017	 Den Hartog INDUSTRIES, INC. Ace Roto-Mold Injection Molding Blow Molding Bowjoy 4010 HOSPERS DRIVE S. BOX 425, HOSPERS, IOWA 51238-0421
					APPRD. / DATE DHJ 12/2/10		
ALL DIMENSIONS ARE IN DECIMAL INCHES TOLERANCES UNLESS OTHERWISE SPECIFIED POLYETHYLENE $\pm 1\%$ @ 68°F			THIRD ANGLE PROJECTION ANSI 14.5M 		SHOT WEIGHT: SHIPPING WEIGHT: 15.00 LBS. FINISH:	NOTES: 200 NOM. WALL	DESCRIPTION 36" TANK ADAPTOR SCALE N.S.
METAL DECIMAL $\pm .125$ " FRACTION $\pm 1/4$ " ANGLE $\pm 1^\circ$							PART NO. 19507