



if it flows,
we go with it

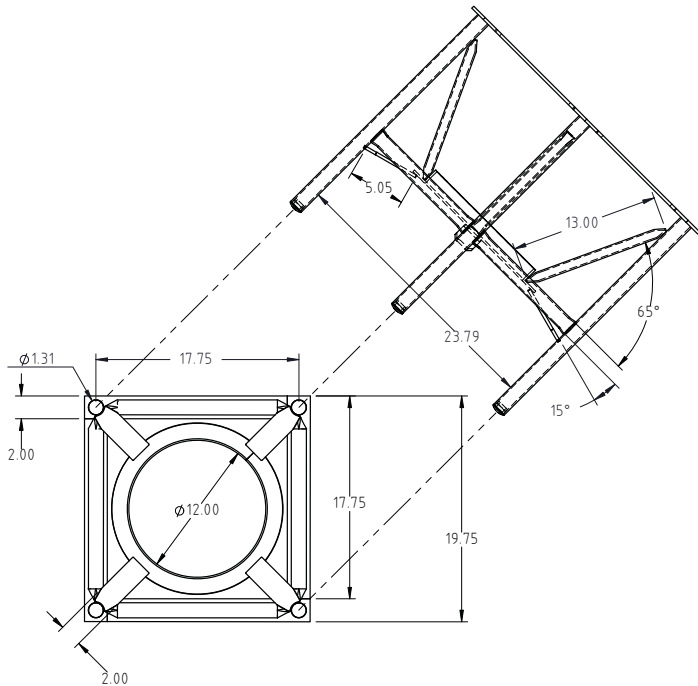
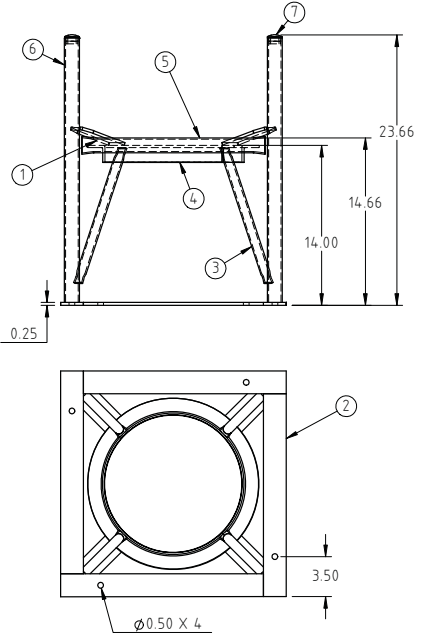
1.800.665.4499
barrplastics.com

© DEN HARTOG INDUSTRIES, INC.


Copyright: All information furnished within this document, electronic file or design correspondence is the property of Den Hartog Industries, Inc. and shall not be used, disclosed to others or copied without the expressed written consent of Den Hartog Industries, Inc.

KEY	PART NUMBER	DESCRIPTION	QTY.
1	CB023-15ST-1	TANK SUPPORT STRAP	4
2	CB023-15ST-2	BASE STRAP	4
3	CB023-15ST-3	LOW SUPPORT	4
4	RAR-12	ROLLED ANGLE, 12" PLAIN	1
5	CB023-15ST-5	SIDE TUBE	4
6	CB023-15ST-6	LEG TUBE	4
7	12583	1" PIPE PLUG	4

CB023-15ST



REV	DESCRIPTION	BY / DATE	CCN	DRAWN / DATE ADH 1/3/11	MATERIAL
				APPRD. / DATE REH 8/24/11	
ALL DIMENSIONS ARE IN DECIMAL INCHES TOLERANCES UNLESS OTHERWISE SPECIFIED				SHOT WEIGHT:	NOTES:
POLYETHYLENE ±1% @ 68°F				SHIPPING WEIGHT: 37.00 LBS	
METAL DECIMAL ± .125" FRACTION ± 1/4" ANGLE ± 1°				FINISH: POWDER COATING, BLACK TILE, 4001Z	



Den Hartog
INDUSTRIES, INC.

Acro Roto-Mold Injection Molding Blow Molding Sowjoy

4010 HOSPERS DRIVE S. BOX 425, HOSPERS, IOWA 51238-0421

DESCRIPTION STAND FOR 15" X Ø23.00". CONE BOTTOM TANK	
SCALE N.S.	PART NO. CB023-15ST