



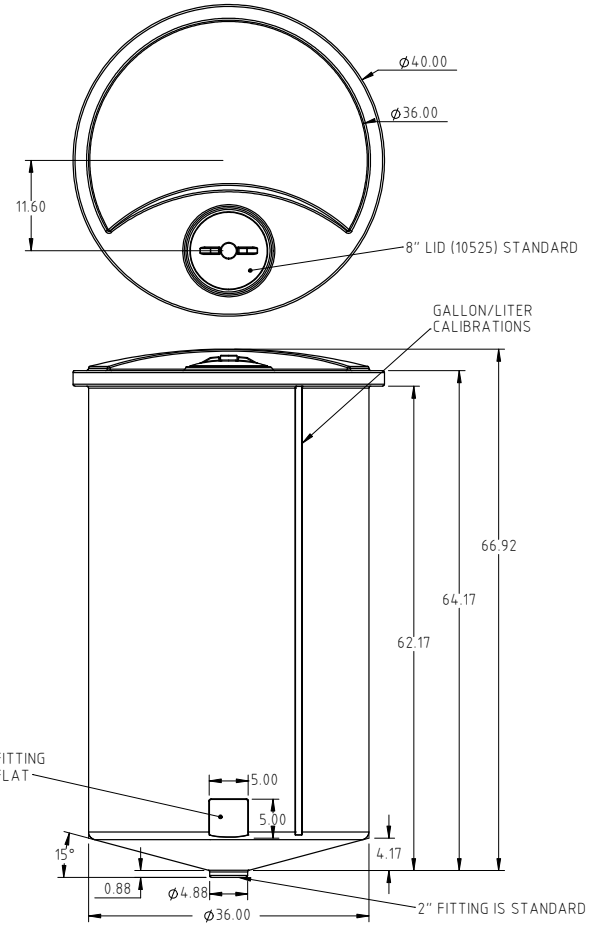
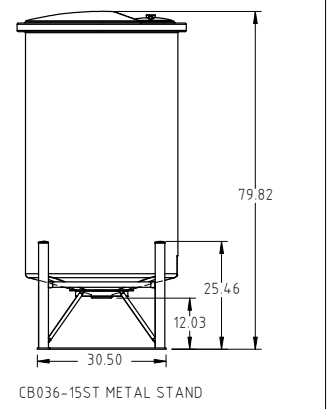
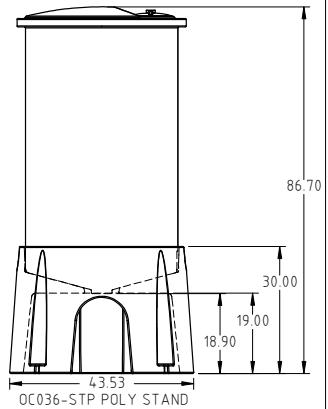
if it flows,
we go with it

1.800.665.4499
barrplastics.com

© DEN HARTOG INDUSTRIES, INC.

Copyright: All information furnished within this document, electronic file or design correspondence is the property of Den Hartog Industries, Inc. and shall not be used, disclosed to others or copied without the expressed written consent of Den Hartog Industries, Inc.

CB0250-36



REV		DESCRIPTION		BY / DATE	CCN	DRAWN / DATE ADH 7/12/10	MATERIAL 10420	 Den Hartog INDUSTRIES, INC. Ace Roto-Mold Injection Molding Blow Molding Bowjoy 4010 HOSPERS DRIVE S. BOX 425, HOSPERS, IOWA 51238-0425
						APPROD. / DATE REH 4/18/11	NOTES: 1) 0.22 WALL THICKNESS	
ALL DIMENSIONS ARE IN DECIMAL INCHES TOLERANCES UNLESS OTHERWISE SPECIFIED				THIRD ANGLE PROJECTION ANSI 14.5M		SHOT WEIGHT: 74.00 LBS		DESCRIPTION 36" DIA. X 250 GALLON CONE BOTTOM
POLYETHYLENE $\pm 1\%$ @ 68°F		METAL DECIMAL $\pm .125"$ FRACTION $\pm 1/4"$ ANGLE $\pm 1^\circ$				SHIPPING WEIGHT: 76.00 LBS		SCALE N.S.
						FINISH:		PART NO. CB0250-36