

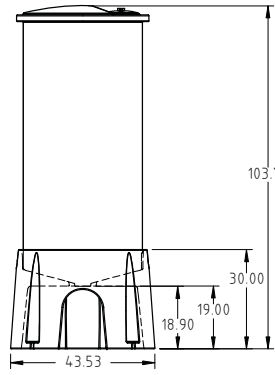


if it flows,
we go with it

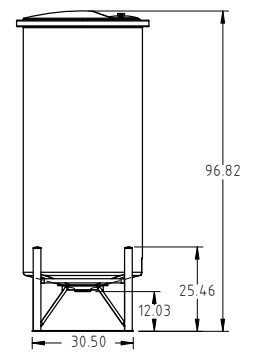
1.800.665.4499
barrplastics.com

© DEN HARTOG INDUSTRIES, INC.

Copyright: All information furnished within this document, electronic file or design correspondence is the property of Den Hartog Industries, Inc. and shall not be used, disclosed to others or copied without the expressed written consent of Den Hartog Industries, Inc.

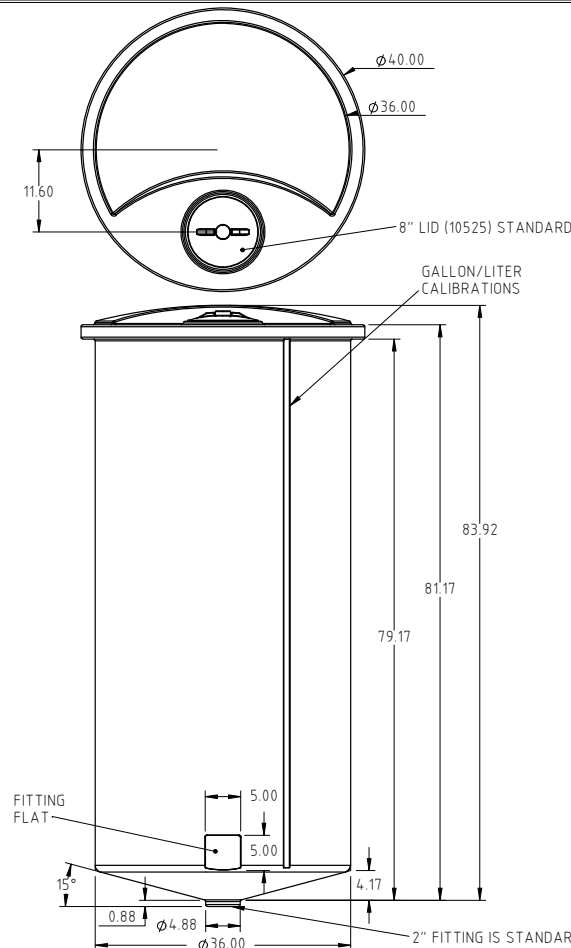


OC036-STP POLY STAND



CB036-15ST METAL STAND

CB0325-36


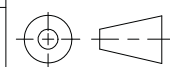


8" LID (10525) STANDARD

GALLON/LITER CALIBRATIONS

FITTING FLAT

2" FITTING IS STANDARD

				DRAWN / DATE ADH 7/12/10	MATERIAL 10420	 <p>Den Hartog INDUSTRIES, INC.</p> <p><small>Ace Roto-Mold Injection Molding Blow Molding Sowjoy</small></p> <p><small>4010 HOSPERS DRIVE S. BOX 425, HOSPERS, IOWA 51238-0425</small></p>
				APPRD. / DATE REH 4/18/11		
REV	DESCRIPTION	BY / DATE	CCN			
ALL DIMENSIONS ARE IN DECIMAL INCHES TOLERANCES UNLESS OTHERWISE SPECIFIED		THIRD ANGLE PROJECTION ANSI 14.5M		SHOT WEIGHT: 90.00 LBS	NOTES: 1.) 0.22 WALL THICKNESS	DESCRIPTION 36" DIA. X 325 GALLON CONE BOTTOM
POLYETHYLENE ±1% @ 68°F		METAL DECIMAL ± .125" FRACTION ± 1/4" ANGLE ± 1°		SHIPPING WEIGHT: 92.00 LBS		SCALE N.S.
				FINISH:		PART NO. CB0325-36