



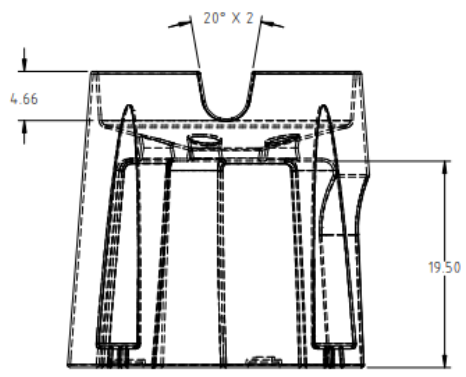
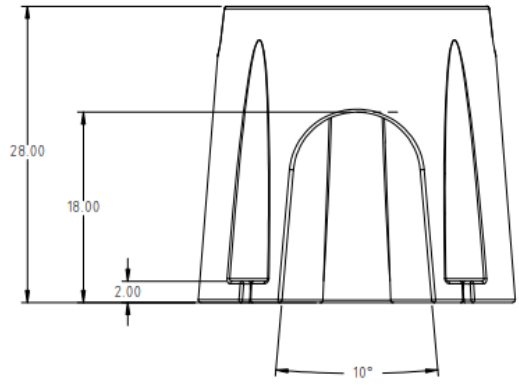
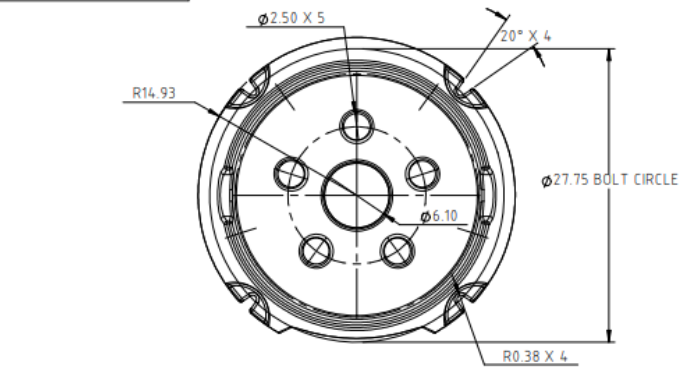
if it flows,
we go with it


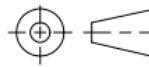
1.800.665.4499
barrplastics.com

© DEN HARTOG INDUSTRIES, INC.

OC023-STP

Copyright: All information furnished within this document, electronic file or design correspondence is the property of Den Hartog Industries, Inc. and shall not be used, disclosed to others or copied without the expressed written consent of Den Hartog Industries, Inc.



			DRAWN / DATE ADH 7/12/10		MATERIAL 12471	 Den Hartog INDUSTRIES, INC. Ace Roto-Mold Injection Molding Blow Molding Sowjoy 4010 HOSPERS DRIVE S. BOX 425, HOSPERS, IOWA 51238-0425
			APPROD. / DATE REH 10/13/10			
REV	DESCRIPTION	BY / DATE	CCN	SHOT WEIGHT: 44 LB.		DESCRIPTION 23" POLY STAND SCALE N.S. PART NO. OC023-STP
					NOTES: 1. 250 NOMINAL WALL	
ALL DIMENSIONS ARE IN DECIMAL INCHES TOLERANCES UNLESS OTHERWISE SPECIFIED POLYETHYLENE ±1% @ 68°F		THIRD ANGLE PROJECTION ANSI 14.5M 		SHIPMENT WEIGHT: 44 LB. FINISH:		
METAL DECIMAL ± .125" FRACTION ± 1/4" ANGLE ± 1°						