

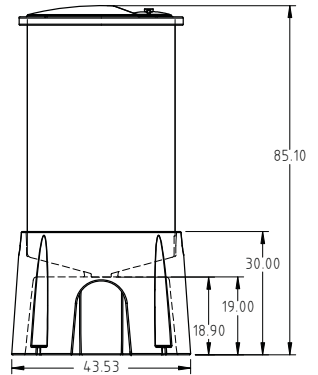


if it flows,
we go with it

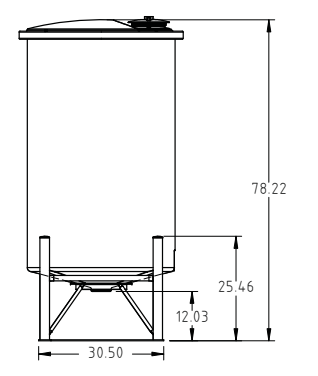
1.800.665.4499
barrplastics.com

© DEN HARTOG INDUSTRIES, INC.

Copyright All information furnished within this document, electronic file or design correspondence is the property of Den Hartog Industries, Inc. and shall not be used, disclosed to others or copied without the expressed written consent of Den Hartog Industries, Inc.



OC036-STP POLY STAND


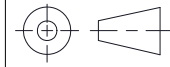


CB036-15ST METAL STAND

OC0250-36

A

2" FITTING IS STANDARD

				DRAWN / DATE ADH 2/11/11	MATERIAL 10420	 <p>Den Hartog INDUSTRIES, INC.</p> <p><small>Acc Roto-Mold Injection Molding Blow Molding Sowjay</small></p> <p><small>4010 HOSPERS DRIVE S. BOX 425, HOSPERS, IOWA 51238-0425</small></p>
A	10626 WAS SJ10067	ADH 10/26/11	2311	APPRD. / DATE REH 4/18/11		
REV	DESCRIPTION	BY / DATE	CCN			
ALL DIMENSIONS ARE IN DECIMAL INCHES TOLERANCES UNLESS OTHERWISE SPECIFIED		THIRD ANGLE PROJECTION ANSI 14.5M		SHOT WEIGHT: 74.00 LBS	NOTES:	DESCRIPTION 36" DIA. X 250 GALLON CONE BOTTOM- OPEN TOP
POLYETHYLENE ±1% @ 68°F	METAL DECIMAL ± .125" FRACTION ± 1/4" ANGLE ± 1°			SHIPPING WEIGHT: 76.00 LBS	1.) 0.22 WALL THICKNESS	
				FINISH:	SCALE N.S.	