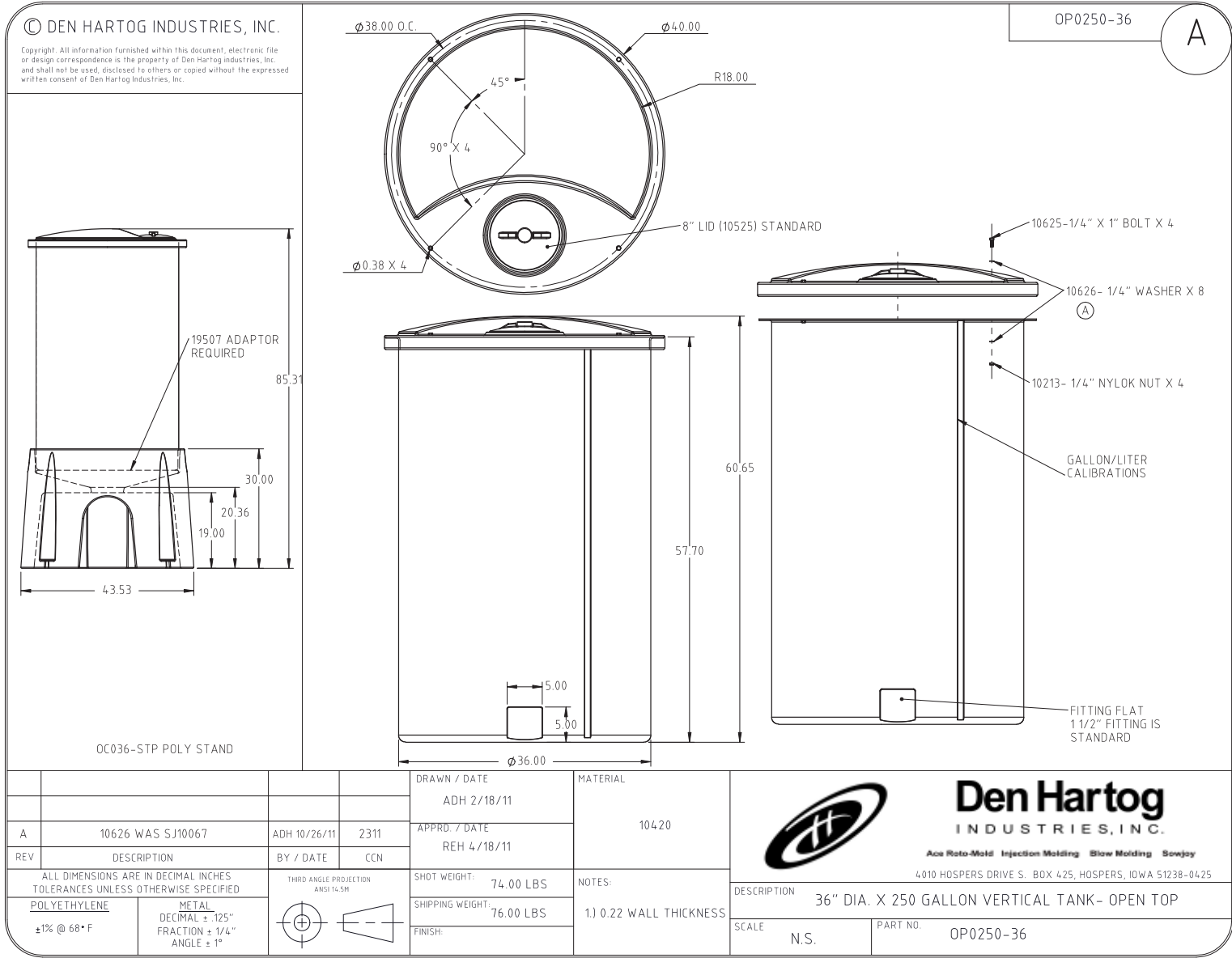


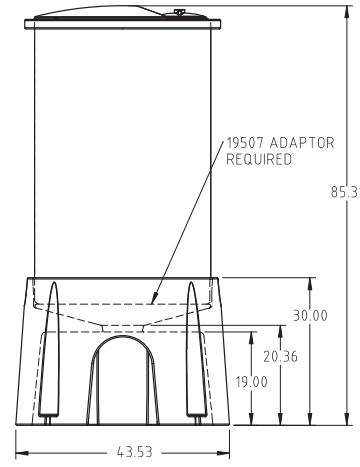


if it flows,
we go with it

1.800.665.4499
barrplastics.com



© DEN HARTOG INDUSTRIES, INC.
Copyright: All information furnished within this document, electronic file or design correspondence is the property of Den Hartog Industries, Inc. and shall not be used, disclosed to others or copied without the expressed written consent of Den Hartog Industries, Inc.



OC036-STP POLY STAND

		DRAWN / DATE ADH 2/18/11		MATERIAL 10420		<p>Den Hartog INDUSTRIES, INC. Ace Roto-Mold Injection Molding Blow Molding Sawtooth 4010 HOSPERS DRIVE S. BOX 425, HOSPERS, IOWA 51238-0425</p>	
A		APPRD. / DATE REH 4/18/11					
REV	DESCRIPTION	BY / DATE	CCN	SHOT WEIGHT: 74.00 LBS		DESCRIPTION	
				SHIPPING WEIGHT: 76.00 LBS		36" DIA. X 250 GALLON VERTICAL TANK- OPEN TOP	
ALL DIMENSIONS ARE IN DECIMAL INCHES TOLERANCES UNLESS OTHERWISE SPECIFIED		THIRD ANGLE PROJECTION ANSI 14.5M		NOTES: 1) 0.22 WALL THICKNESS		SCALE N.S.	
POLYETHYLENE ±1% @ 68°F		METAL DECIMAL ± .125" FRACTION ± 1/4" ANGLE ± 1°		FINISH:		PART NO. OP0250-36	