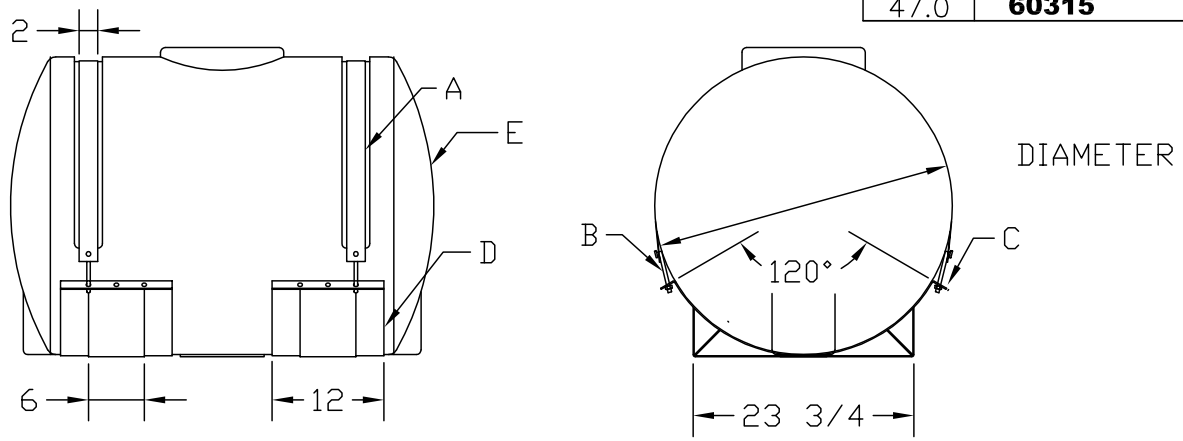




if it flows,
we go with it

1.800.665.4499
barrplastics.com

| | | |
|--------------------|--------------|-----|
| NORWESCO | | REV |
| ST. BONIFACIUS, MN | | |
| 110-30 SADDLE ASSY | | |
| 150-32 SADDLE ASSY | | |
| WT. (LBS) | DWG NO. | |
| 47.0 | 60315 | |



- A: TWO NYLON STRAPS X 72" LONG
- B: FOUR 3/8" X 4 1/2 L-BOLTS W/ NUT, ZINC PLATED Ⓟ
- C: FOUR BUCKLES
- D: TWO SADDLES, 11 GA. HRS, BLACK
- E: TANK--110 X 30 DIA; 150 X 32 DIA

ALL INFORMATION CONTAINED IN THIS DRAWING IS STRICTLY CONFIDENTIAL AND PROPERTY OF BARR PLASTICS INC. NO PART SHALL BE COPIED OR REPRODUCED WITHOUT THE WRITTEN CONSENT OF BARR PLASTICS INC.

| | | | | |
|---|-------|--------------|---------------------|--|
| Customer Drawing Approval | | | PROJECT: | MATERIAL SPECIFICATIONS HDPE 1.5 SPG ALL FITTINGS ARE POLYPROPYLENE WITH EPDM GASKETS |
| Customer _____ | _____ | | - TANK APPROVAL DWG | |
| Barr Plastic Inc. _____ | _____ | CLIENT: | | |
| | | DRAWING REF: | | |
| H:\BPT SALES DWG\TANKS Norwesco_Snyder_Ace\Norwesco\Applcator Tanks\Steel\110_150_32_Saddle.DWG | | DATE: | SCALE: | REV: |
| | | 18 AUG 05 | - | |