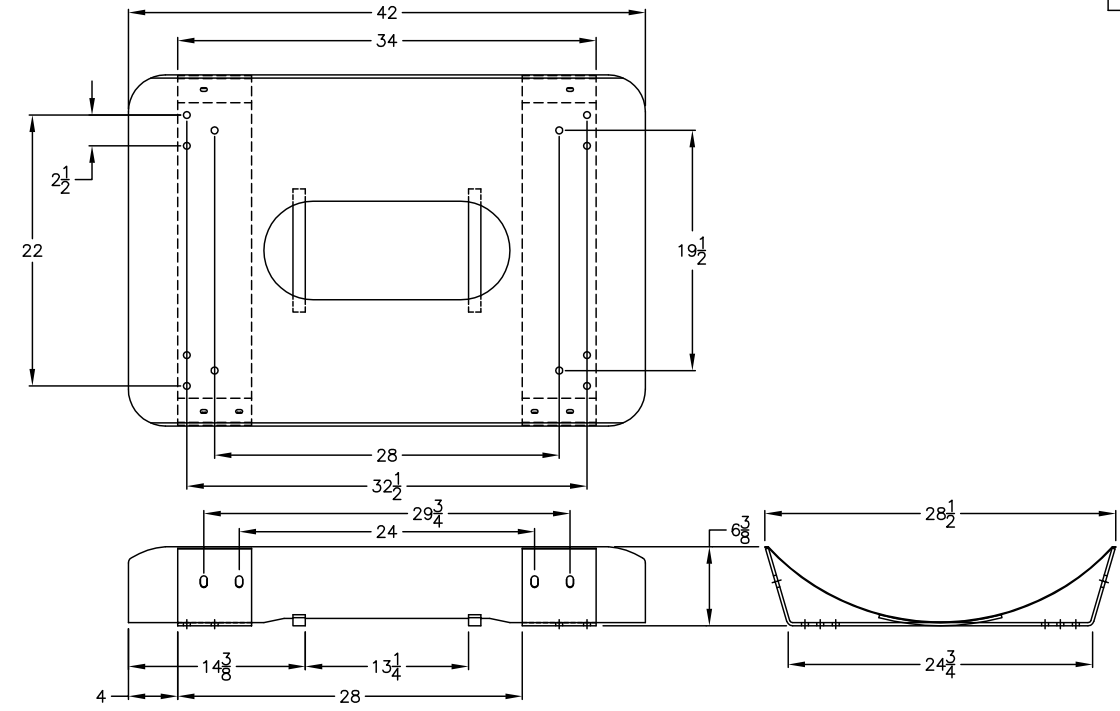




if it flows,  
we go with it

1.800.665.4499  
barrplastics.com

<b>NORWESCO</b>		REV
ST. BONIFACIUS, MN		
200-38 SADDLE ASSY		
WT. (LBS)	DWG NO.	
57.0	63020	
WT. (LBS)	DWG NO.	



PARTS BAG CONTENTS:  
 (2) POLY STRAP, 2" X 96"  
 (4) BENT BUCKLE, 2"  
 (4) J-BOLT, 1/2"  
 (8) HEX NUT, 1/2"

ALL INFORMATION CONTAINED IN THIS DRAWING IS STRICTLY CONFIDENTIAL AND PROPERTY OF BARR PLASTICS INC. NO PART SHALL BE COPIED OR REPRODUCED WITHOUT THE WRITTEN CONSENT OF BARR PLASTICS INC.

**Customer Drawing Approval**

Customer \_\_\_\_\_

Barr Plastic Inc. \_\_\_\_\_



PROJECT:  
 - TANK APPROVAL DWG.

CLIENT:  
 -

DRAWING REF:  
 -

MATERIAL SPECIFICATIONS

HDPE 1.5 SPG

ALL FITTINGS ARE  
 POLYPROPYLENE WITH  
 EPDM GASKETS

DATE: 18 AUG 05

SCALE: -

REV: -

H:\BPT SALES DWG\TANKS Norwesco\_Snyder\_Ace\Norwesco\Appliator Tanks\Steel\200\_38\_Saddle.DWG