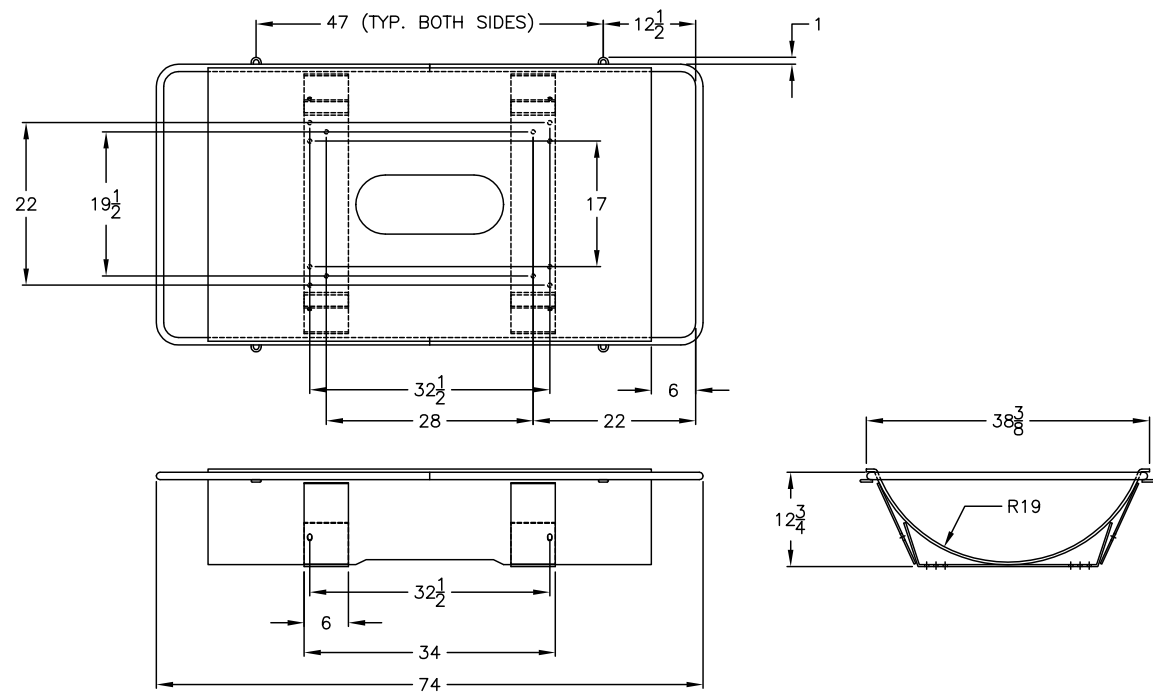




if it flows,
we go with it

1.800.665.4499
barrplastics.com

NORWESCO		REV
ST. BONIFACIUS, MN		
300-38 SADDLE ASSY		
WT. (LBS)	DWG NO.	
100.0	63021	
WT. (LBS)	DWG NO.	



PARTS BAG CONTENTS:
 (2) POLY STRAP, 3" X 96"
 (4) BENT BUCKLE, 3"
 (4) J-BOLT, 1/2"
 (8) HEX NUT, 1/2"

ALL INFORMATION CONTAINED IN THIS DRAWING IS STRICTLY CONFIDENTIAL AND PROPERTY OF BARR PLASTICS INC. NO PART SHALL BE COPIED OR REPRODUCED WITHOUT THE WRITTEN CONSENT OF BARR PLASTICS INC.

Customer Drawing Approval

Customer _____

Barr Plastic Inc. _____



PROJECT:
 - TANK APPROVAL DWG.

CLIENT:
 -

DRAWING REF:
 -

MATERIAL SPECIFICATIONS

HDPE 1.5 SPG

ALL FITTINGS ARE
 POLYPROPYLENE WITH
 EPDM GASKETS

DATE: 18 AUG 05

SCALE: - REV: -

H:\BPT SALES DWG\TANKS Norwesco_Snyder_Ace\Norwesco\Appliator Tanks\Steel\300_38_Saddle.DWG