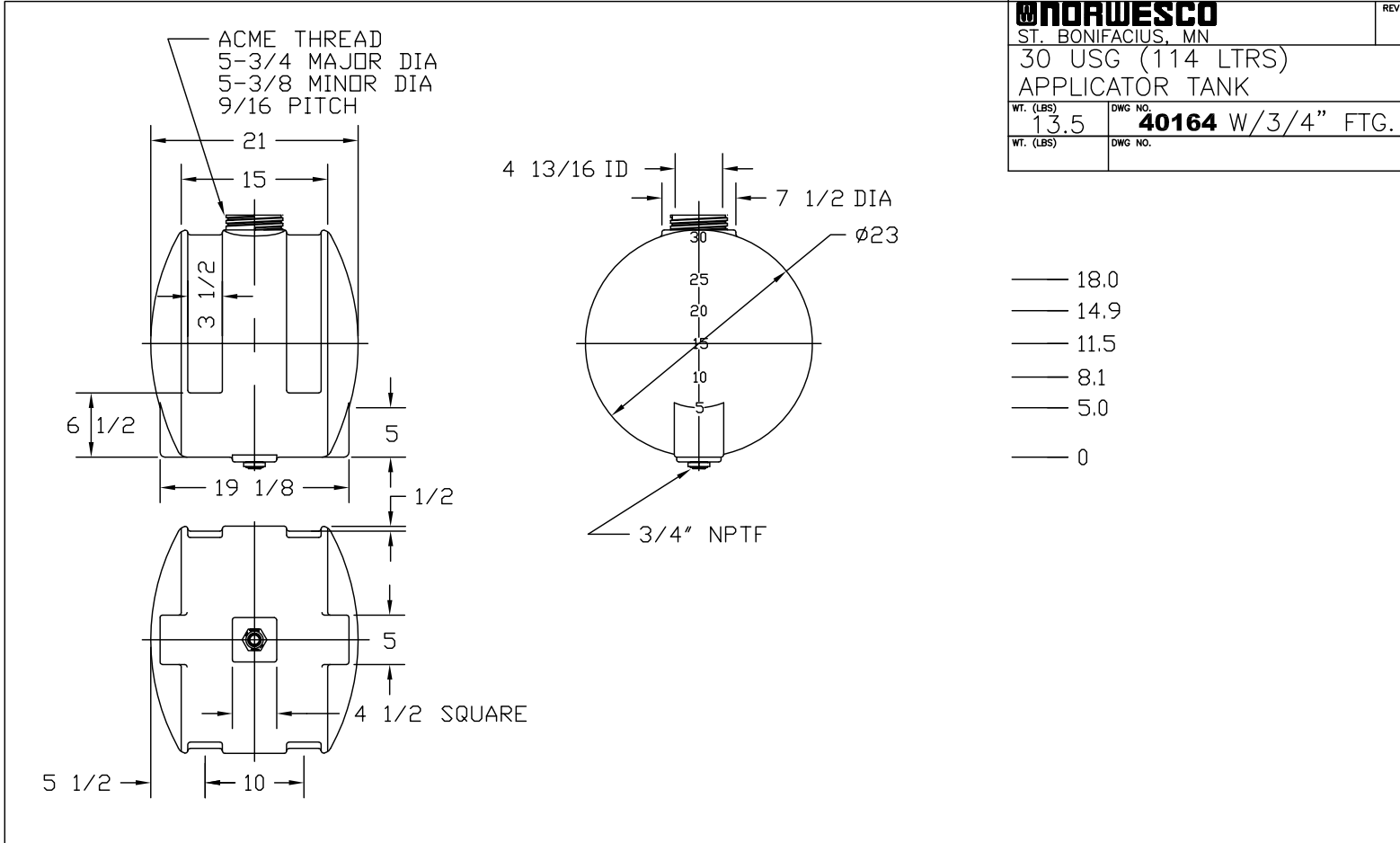




if it flows,  
we go with it

1.800.665.4499  
barrplastics.com



<b>NORWESCO</b>		REV
ST. BONIFACIUS, MN		
30 USG (114 LTRS)		
APPLICATOR TANK		
WT. (LBS)	DWG NO.	
13.5	40164 W/3/4" FTG.	
WT. (LBS)	DWG NO.	

ALL INFORMATION CONTAINED IN THIS DRAWING IS STRICTLY CONFIDENTIAL AND PROPERTY OF BARR PLASTICS INC. NO PART SHALL BE COPIED OR REPRODUCED WITHOUT THE WRITTEN CONSENT OF BARR PLASTICS INC.

**Customer Drawing Approval**

Customer \_\_\_\_\_

Barr Plastic Inc. \_\_\_\_\_

H:\BPT SALES DWG\TANKS Norwesco\_Snyder\_Ace\Norwesco\Appliator Tanks\30.DWG

**BARR**  
Plastics Inc.

PROJECT:  
- TANK APPROVAL DWG

CLIENT:  
-

DRAWING REF:  
-

DATE:  
18 AUG 05

SCALE:  
-

REV:  
-

**MATERIAL SPECIFICATIONS**

HDPE 1.5 SPG

ALL FITTINGS ARE  
POLYPROPYLENE WITH  
EPDM GASKETS