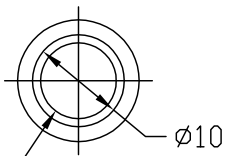




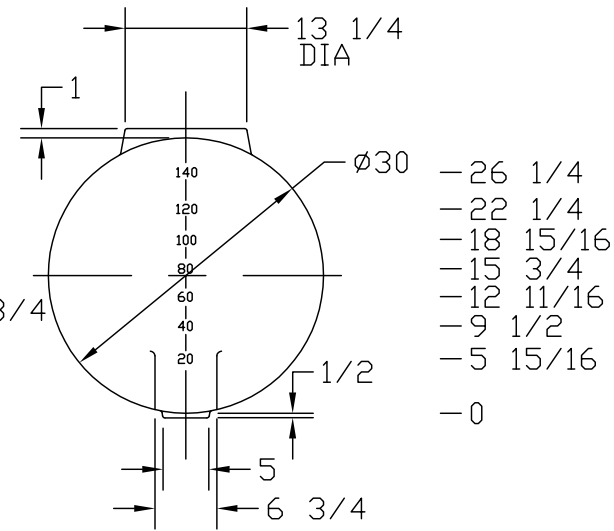
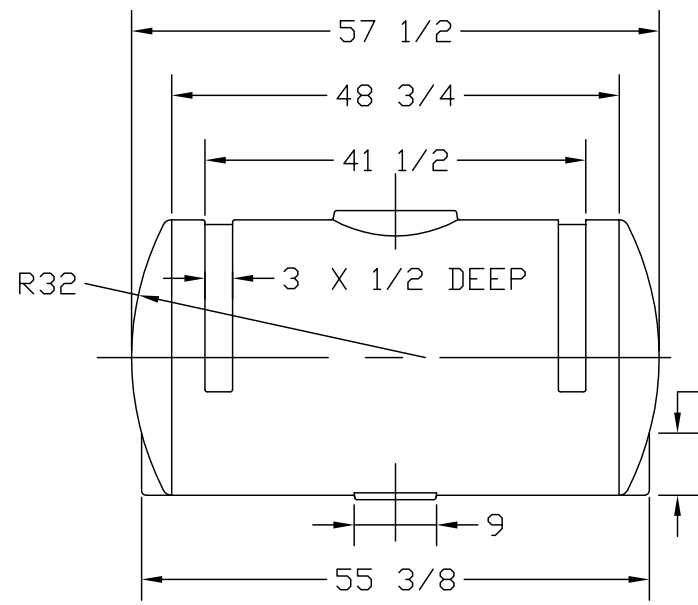
if it flows,  
we go with it

1.800.665.4499  
barrplastics.com

<b>NORWESCO</b>		REV
ST. BONIFACIUS, MN		
150 USG (568 LTRS) x30 DIA. APPLICATOR TANK		
WT. (LBS)	DWG NO.	
49.6	<b>40648</b>	W/1 1/4"-1 1/4" FTG.
WT. (LBS)	DWG NO.	



8 1/4 ACME THD,  
RH, FOR 60002 LID



ALL INFORMATION CONTAINED IN THIS DRAWING IS STRICTLY CONFIDENTIAL AND PROPERTY OF BARR PLASTICS INC. NO PART SHALL BE COPIED OR REPRODUCED WITHOUT THE WRITTEN CONSENT OF BARR PLASTICS INC.		
<b>Customer Drawing Approval</b>  Customer _____  Barr Plastic Inc. _____		PROJECT: - TANK APPROVAL DWG
		MATERIAL SPECIFICATIONS HDPE 1.5 SPG ALL FITTINGS ARE POLYPROPYLENE WITH EPDM GASKETS
DATE: 18 AUG 05	SCALE: -	REV: -

H:\BPT SALES DWG\TANKS Norwesco\_Snyder\_Ace\Norwesco\Applcator Tanks\150X30.DWG