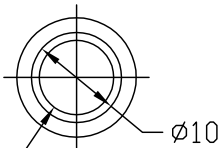




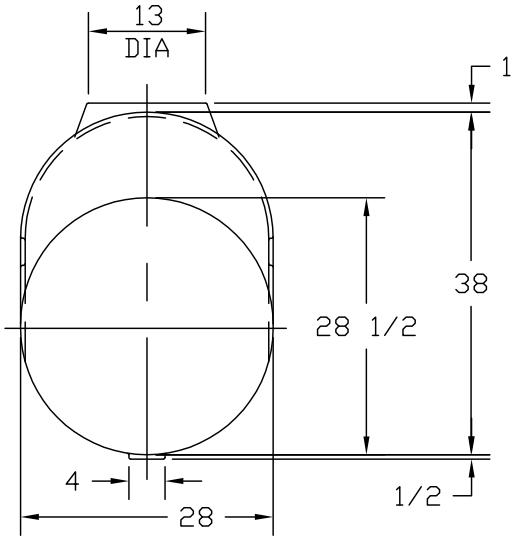
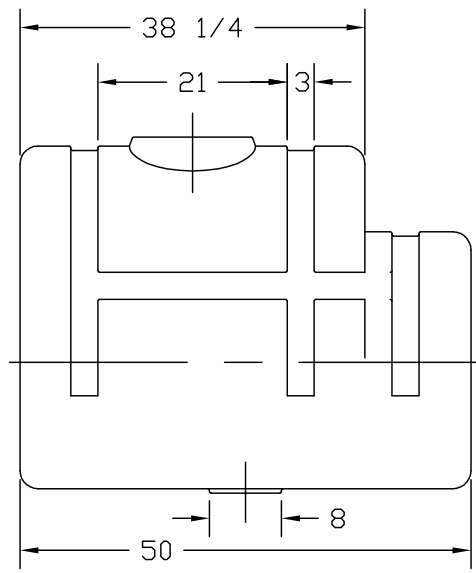
if it flows,  
we go with it

1.800.665.4499  
barrplastics.com

<b>NORWESCO</b>		REV
ST. BONIFACIUS, MN		
150 USG (568 LTRS) SLIM-LINE APPLICATOR TANK		
WT. (LBS)	DWG NO.	
56.6	<b>40777</b> W/1 1/4"-1 1/4" FTG.	
WT. (LBS)	DWG NO.	



8 1/4 ACME THD,  
RH, FOR 60002 LID



ALL INFORMATION CONTAINED IN THIS DRAWING IS STRICTLY CONFIDENTIAL AND PROPERTY OF BARR PLASTICS INC. NO PART SHALL BE COPIED OR REPRODUCED WITHOUT THE WRITTEN CONSENT OF BARR PLASTICS INC.

**Customer Drawing Approval**

Customer \_\_\_\_\_

Barr Plastic Inc. \_\_\_\_\_

H:\BPPT SALES DWG\TANKS Norwesco\_Snyder\_Ace\Norwesco\Appliator Tanks\150SL.DWG



DATE: 18 AUG 05

PROJECT:	-
TANK APPROVAL DWG	
CLIENT:	-
DRAWING REF:	
SCALE:	-
REV:	

MATERIAL SPECIFICATIONS

HDPE 1.5 SPG

ALL FITTINGS ARE  
POLYPROPYLENE WITH  
EPDM GASKETS